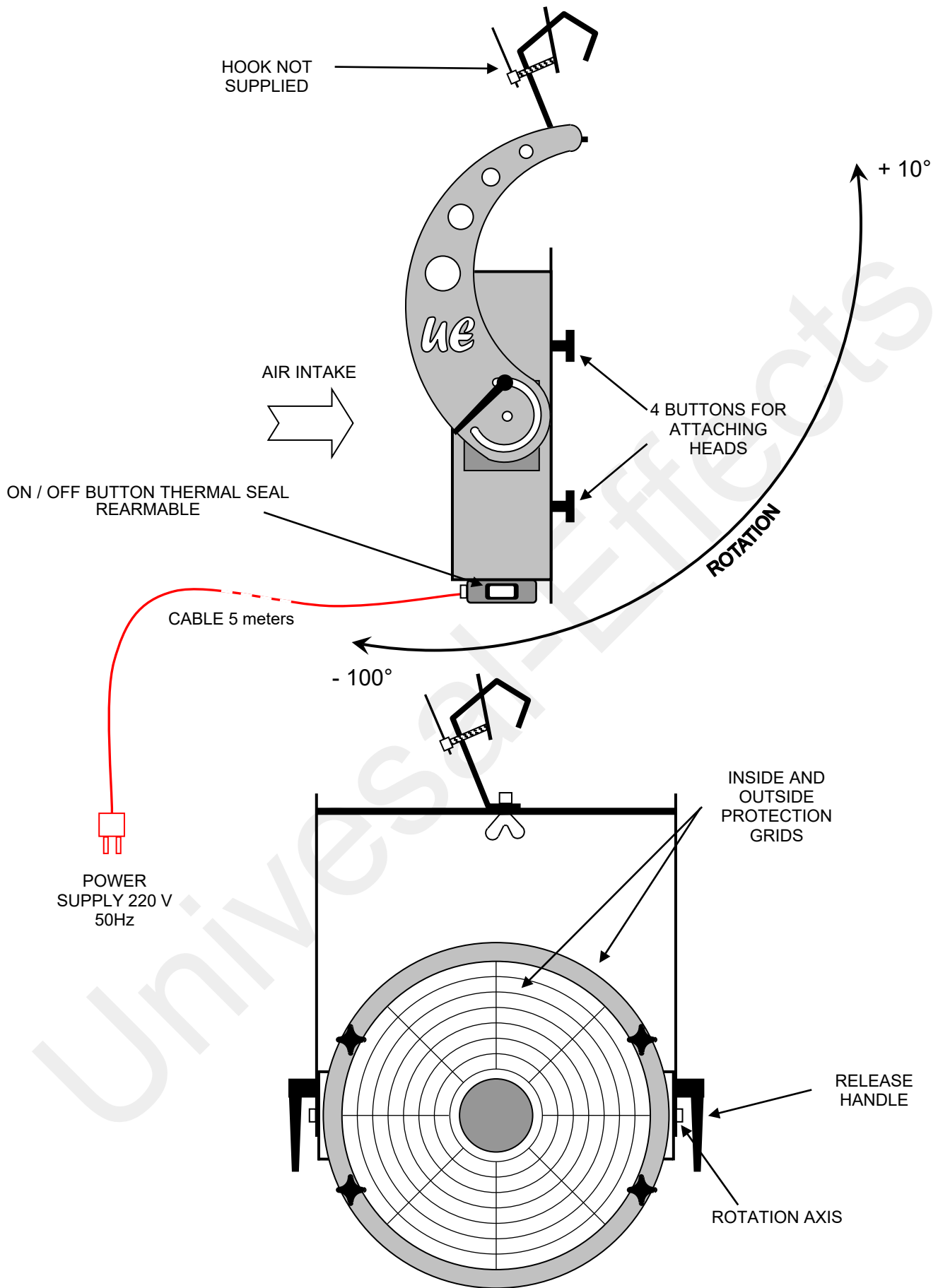
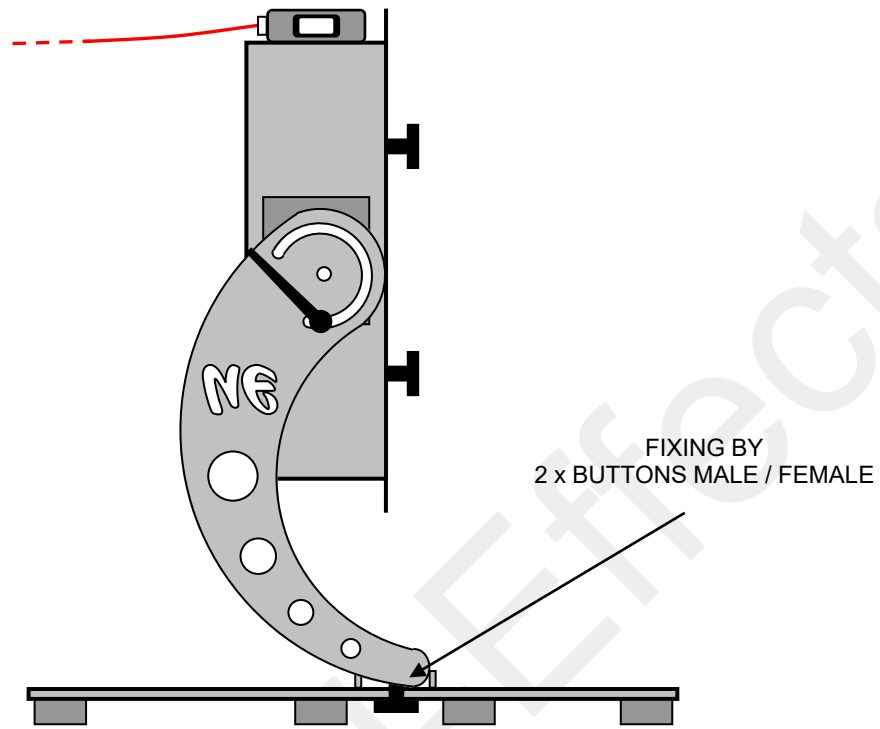


TECHNICAL DIAGRAM – UE K-BASE 350 & 500



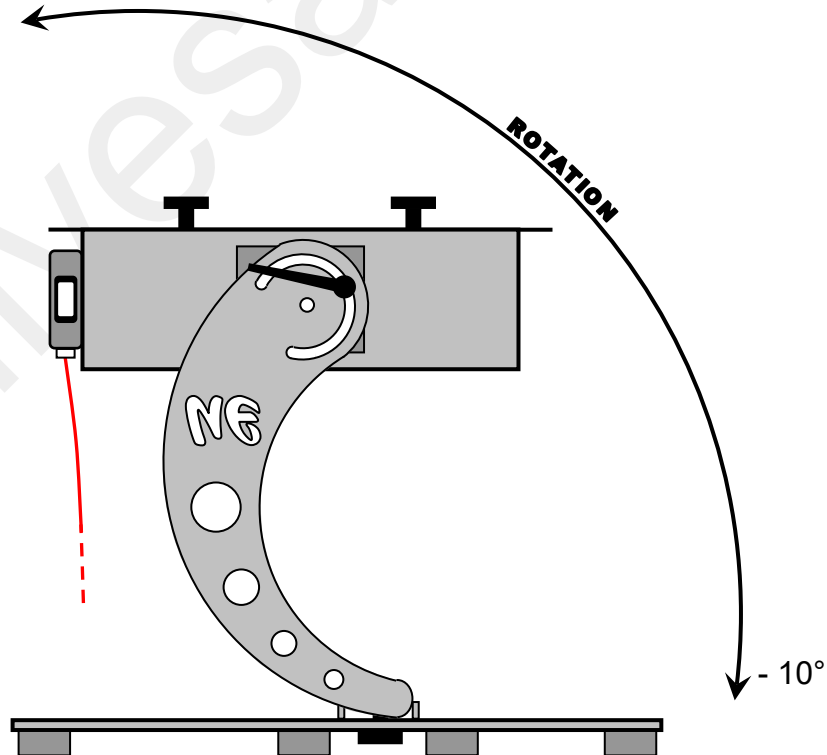
STAINLESS SCREWS & HARDWARE - ALUMINUM BODY

TECHNICAL DIAGRAM – UE K- BASE 350 & 500 AVEC OPTION SUPPORT DE SOL



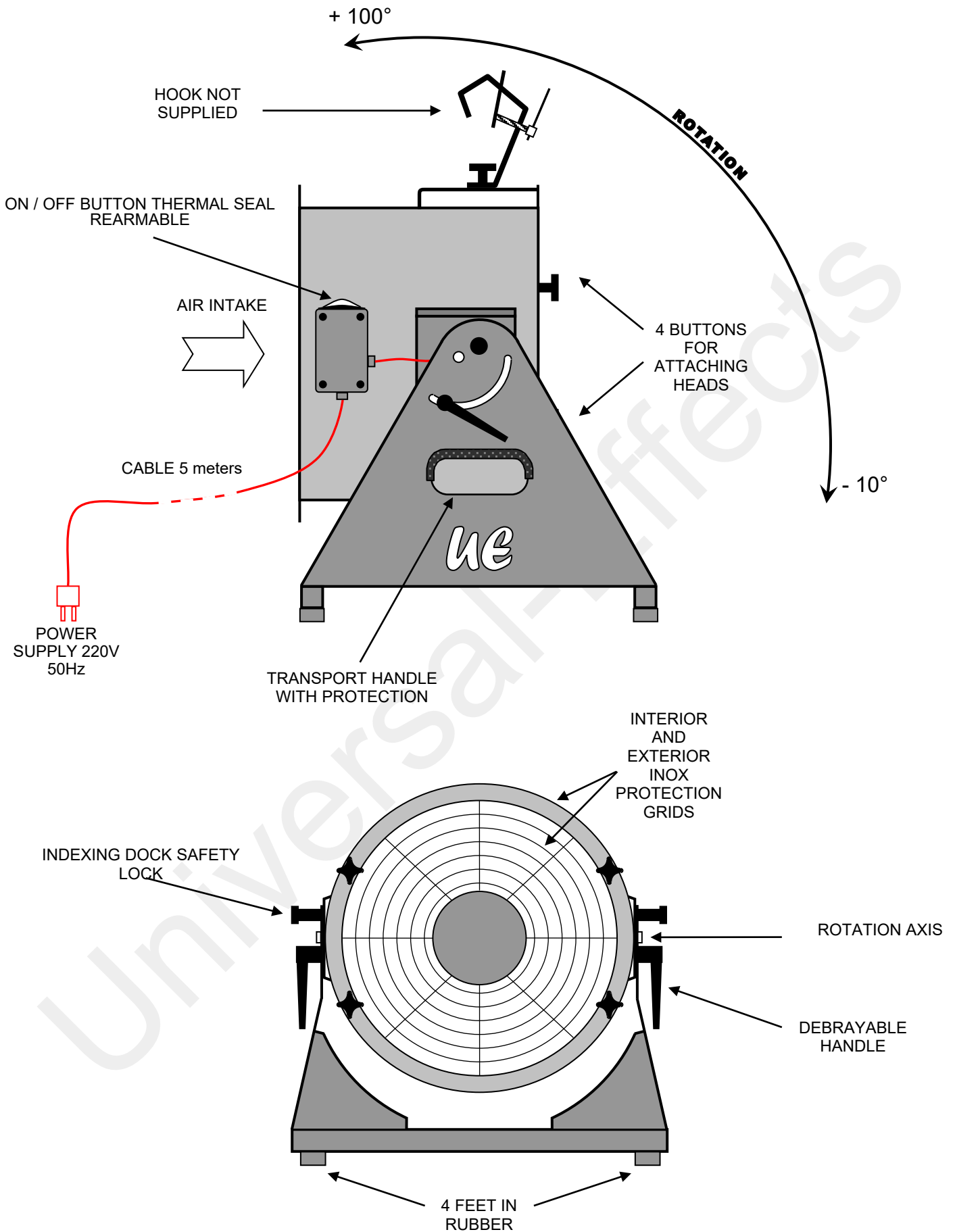
GROUND SUPPORT
REF : UE GROUND FOOT K-350 & K-500

+ 100°



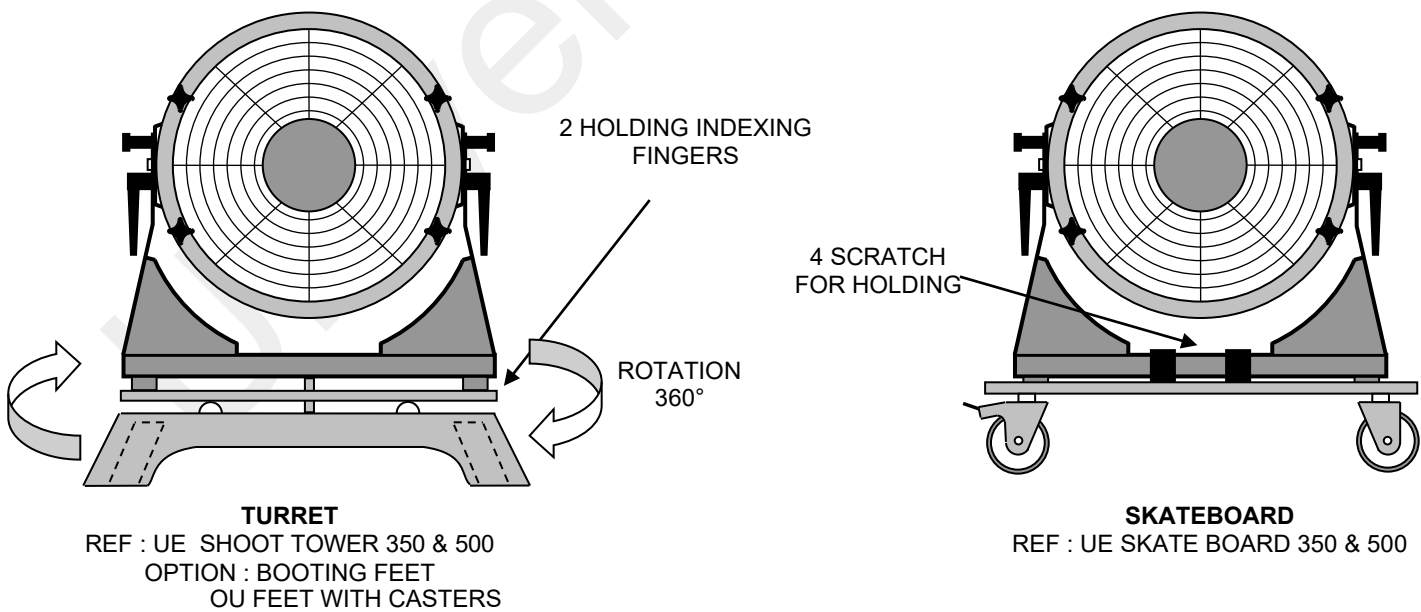
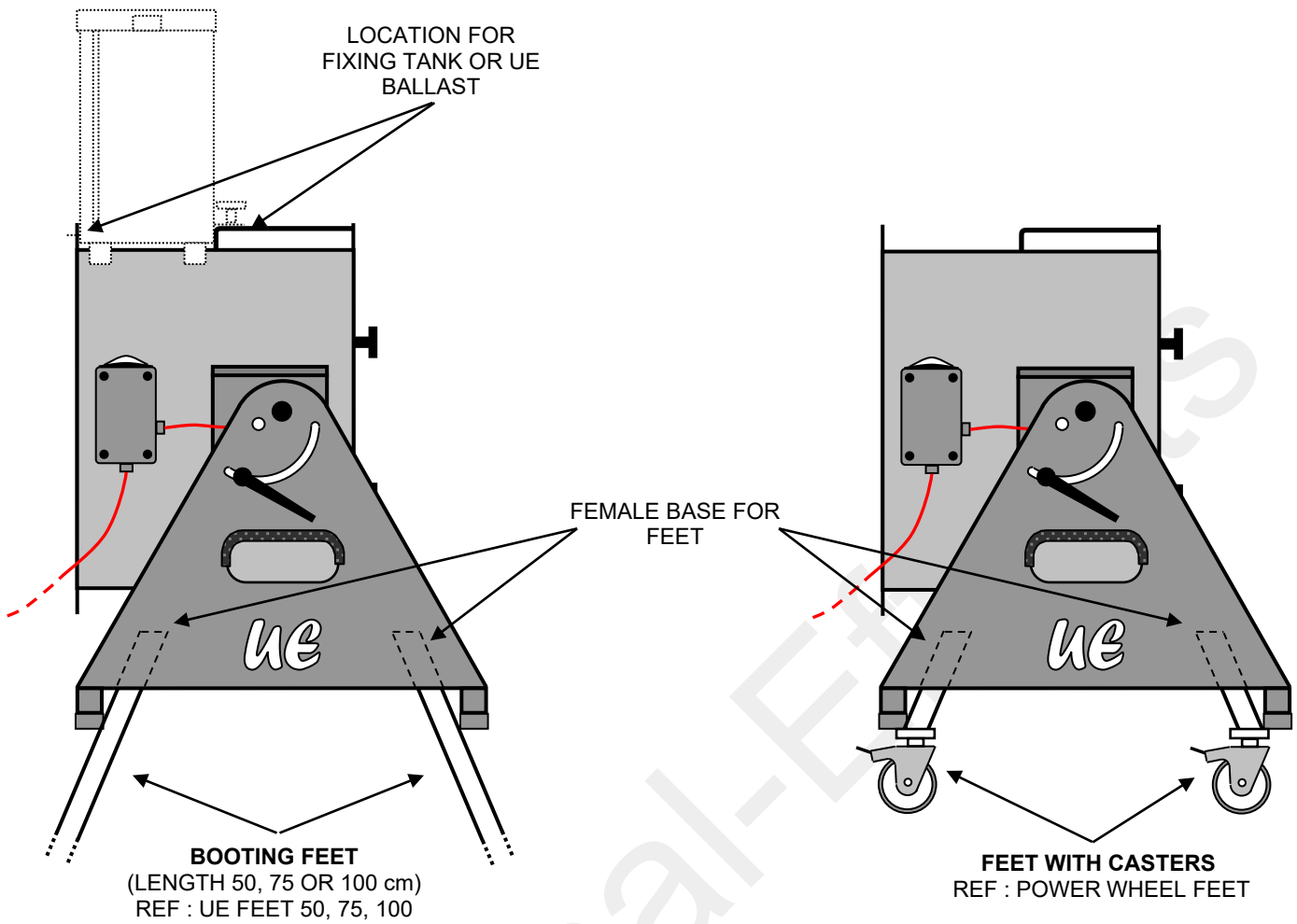
STAINLESS SCREWS & HARDWARE - ALUMINUM BODY – VERY COMPACT

TECHNICAL DIAGRAM – UE ST- BASE 350 & 500



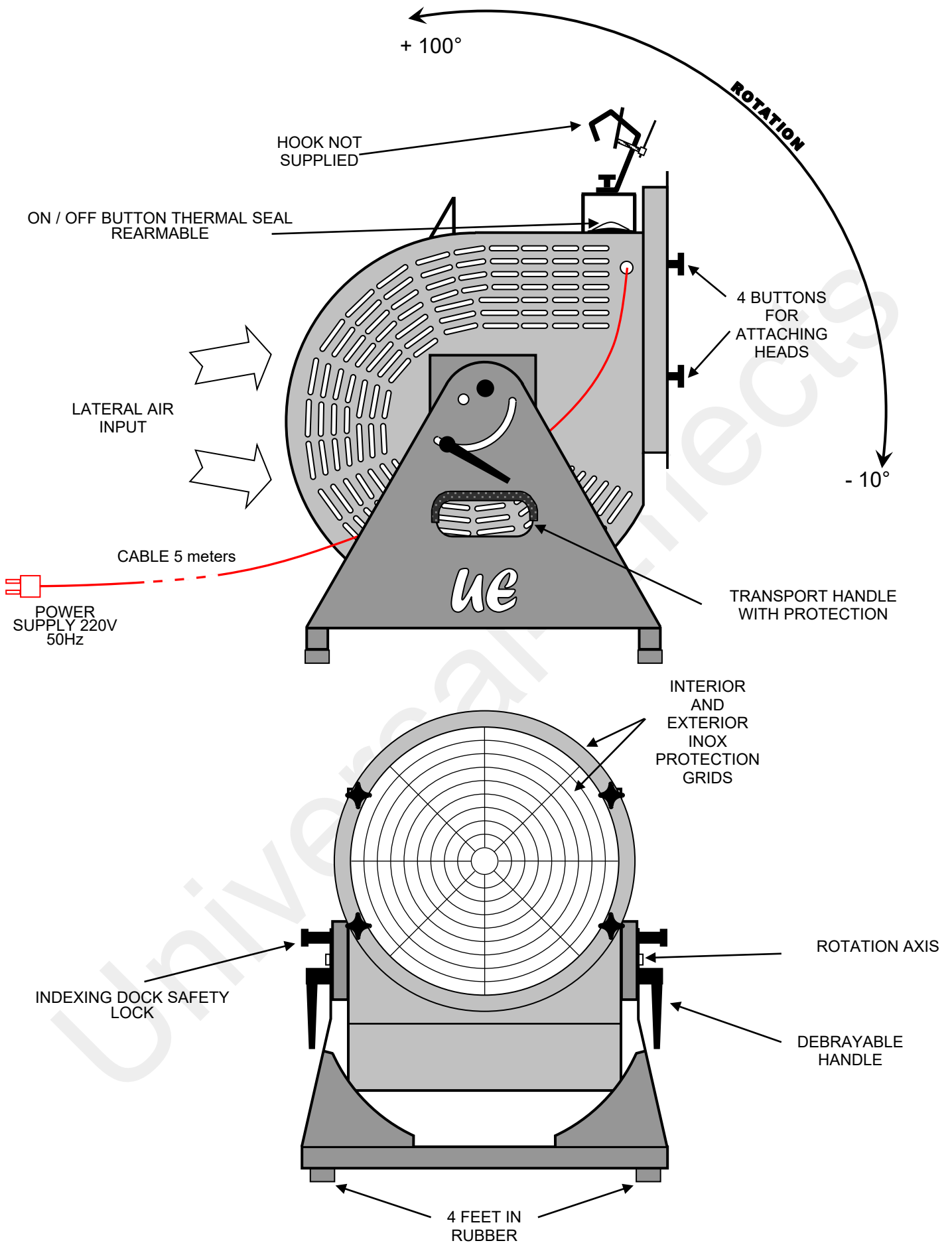
STAINLESS SCREWS & HARDWARE - ALUMINUM BODY – VERY POWERFUL

TECHNICAL DIAGRAM – UE ST- BASE 350 & 500 WITH 4 POSSIBLE OPTIONS



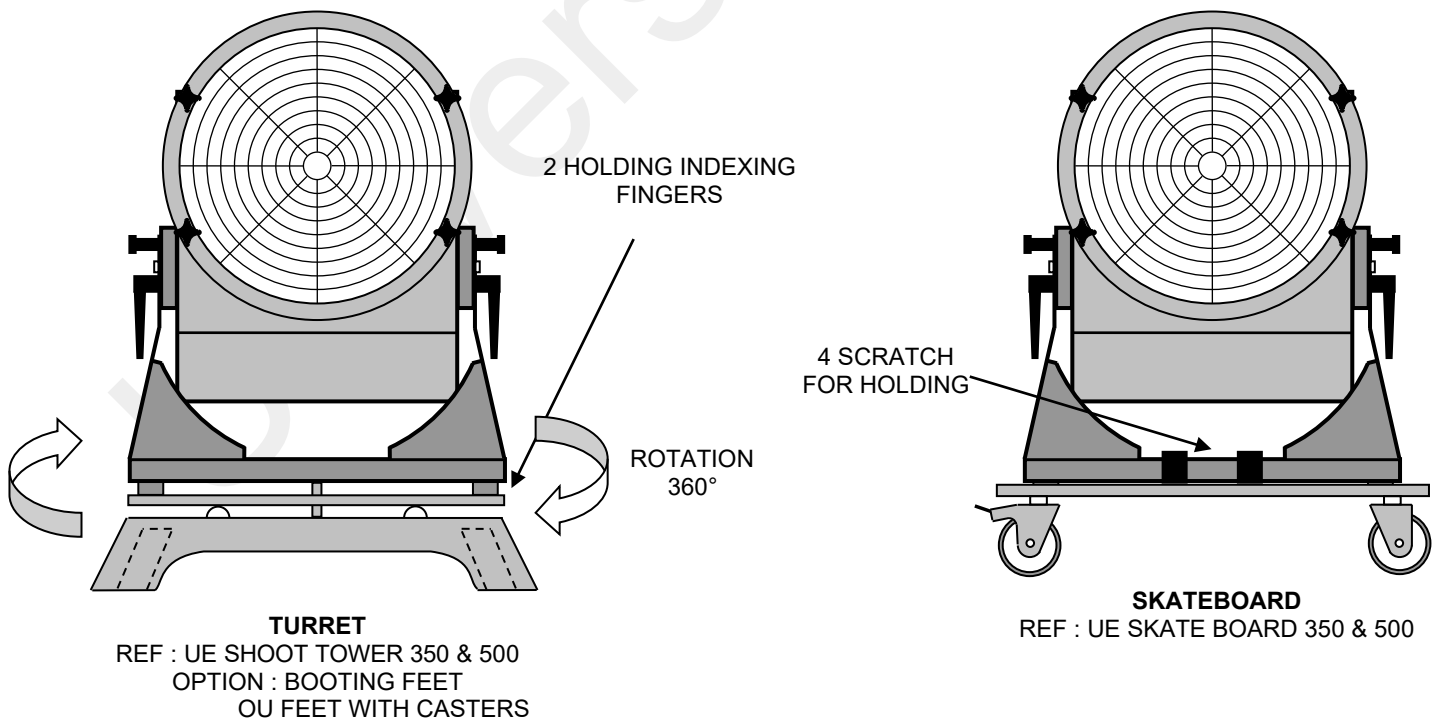
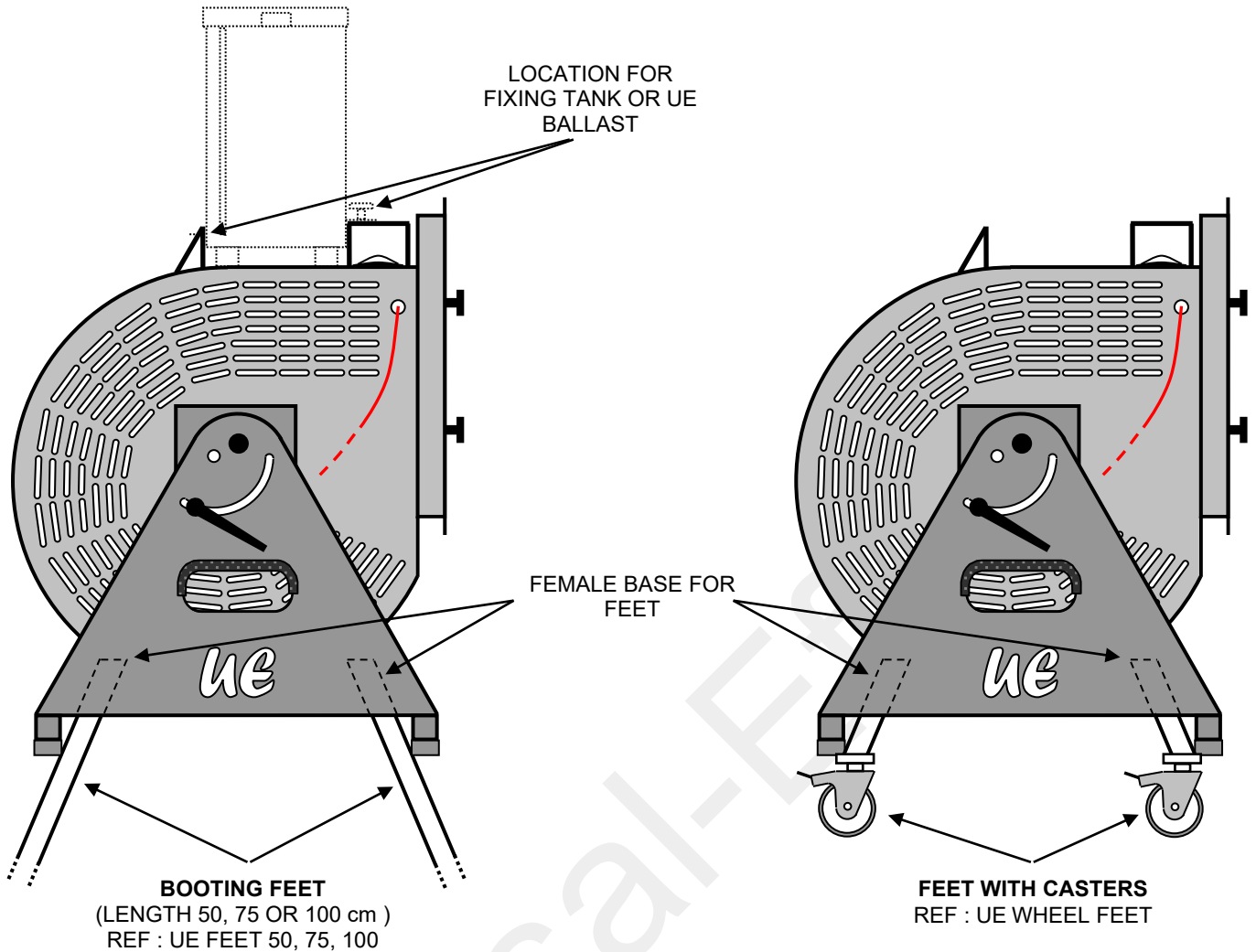
STAINLESS SCREWS & HARDWARE - ALUMINUM BODY – VERY POWERFUL

TECHNICAL DIAGRAM – UE XT-BASE 350 & 500



STAINLESS SCREWS & HARDWARE - ALUMINUM BODY – LITTLE NOISE

TECHNICAL DIAGRAM – UE XT- BASE 350 & 500 WITH 4 POSSIBLE OPTIONS



STAINLESS SCREWS & HARDWARE - ALUMINUM BODY – LITTLE NOISE