



# TECHNICAL DATASHEET

## UE Head AirFlame 350 LED HP

Item Code : PFPFAF002124

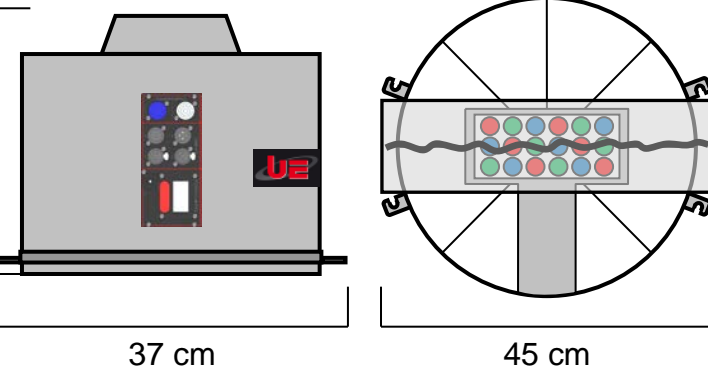
The EU Head AirFlame Led allows you to create a decorative and powerful visual effect for the event.

This version is equipped with an 18 x 3 W HP Tri-color RGB lighting that gives you full control over the color and intensity you want.

You can control the head via DMX-512 link or use the internal programs. The concept we have developed gives you the choice to use this head for 4 different effects: Flames of Silk, Windssock, Characters and Inflatable Forms such as cones. This head comes with 2 accessories included, a silk flame holder and a strapping for the inflatables.

### NOMENCLATURE :

- 1 x UE Head AirFlame 350 LED
- 1 x Flame Holder
- 1 x Silk Flame 3m
- 1 x Strapping for Inflatables
- 1 x Power Cable 2m PowerCon



### TECHNICAL SPECIFICATIONS :

Size : 35 x 45 x 37 cm  
Weight : 7 Kg

Electrical Specifications :  
230V – 50Hz – 70W – 0.3A

Equipped with a three-color LED system 18 x 3W RGB

### FEATURES :

Control in DMX and local mode.  
Removable flame holder.  
Delivered with a strapping for hanging Design Inflatable, Airships and Characters. Possibilities of flame heights: from 2 to 4m. Possibility of fixtube heights from 3 to 6m. Possibilities of height of figure of 3m.

### BASES USABLE :

- UE K- Base 350
- UE ST- Base 350
- UE XT- Base 350

### CONSUMABLES :

Silk Flame : Flamme de soie  
Designs : Formes gonflables  
Figures : Personnages gonflables  
Fly Tube : Manches à air

Made of ALUMINUM and INOX, the Head AirFlame 350 LED HP is built to last. Each element has been chosen for its quality and efficiency.

**Universal Effects, La qualité et l'innovation Fabriqué en France**

Universal Effects est une Marque fabriquée et distribuée par la société Premium Factory SAS  
1 Route Neuve, 71710 MONTCENIS - FRANCE | Email [info@premiumfactory.eu](mailto:info@premiumfactory.eu) | [www.premiumfactory.eu](http://www.premiumfactory.eu)  
Société Anonyme Simplifié au capital de 1 000 € | Siret 840 703 797 00018 | VAT Nr: FR47840703797