



# TECHNICAL DATASHEET

## UE Head AirFlame 350 Light DMX

Item Code : PFPFAF002126

The EU Head AirFlame Light allows you to create a decorative and powerful visual effect for the event.

This version is equipped with 2 MR16 halogen lamps of 71W each in tight beam pattern.

Fire-colored removable dichroic filters give the illusion of a real flame. Realism is bluffing! Without the filters, the powerful white lighting will highlight the inflatables. Two versions to choose from: Light Std for manual control or Light DMX for remote control. The concept we have developed gives you the choice to use this head for 4 different effects: Flames of Silk, Windsock, Characters and Inflatable Forms such as cones. This head comes with 2 accessories included, a silk flame holder and a strapping for the inflatables.

### NOMENCLATURE :

- 1 x UE Head AirFlame 350 Light DMX
- 1 x Flame Holder
- 1 x Silk Flame 3m
- 1 x Strapping for Inflatables
- 1 x Power Cable 2m PowerCon



### TECHNICAL SPECIFICATIONS :

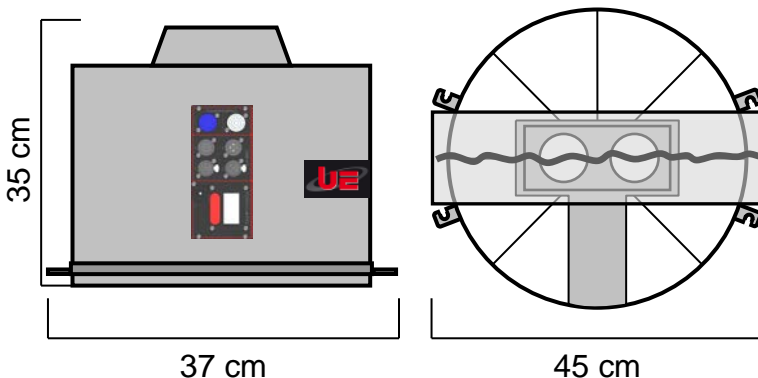
Size : 35 x 45 x 37 cm  
Weight : 6,6 Kg

Electrical Specifications :  
230V – 50Hz – 150W – 0.7A

Equipped with 2 lamps MR16-71W 10° + dichroic filters

### FEATURES :

Control in DMX and local mode  
Removable flame holder.  
Delivered with a strapping for hanging Design Inflatable, Airships and Characters. Possibilities of height of flame: from 2 to 4m Possibility of heights of fixtube from 3 to 6m Possibilities of heights of figure of 3m



### BASES USABLE :

- UE K- Base 350
- UE ST- Base 350
- UE XT- Base 350

### CONSUMABLES :

Silk Flame : Flamme de soie  
Designs : Formes gonflables  
Figures : Personnages gonflables  
Fly Tube : Manches à air

Made of ALUMINUM and INOX, the Head AirFlame 350 Light DMX is built to last. Each element has been chosen for its quality and efficiency.

**Universal Effects, La qualité et l'innovation Fabriqué en France**

Universal Effects est une Marque fabriquée et distribuée par la société Premium Factory SAS  
1 Route Neuve, 71710 MONTCENIS - FRANCE | Email info@premiumfactory.eu | www.premiumfactory.eu  
Société Anonyme Simplifiée au capital de 1 000 € | Siret 840 703 797 00018 | VAT Nr: FR47840703797