



TECHNICAL DATASHEET

UE Head AirFlame 350 Light STD

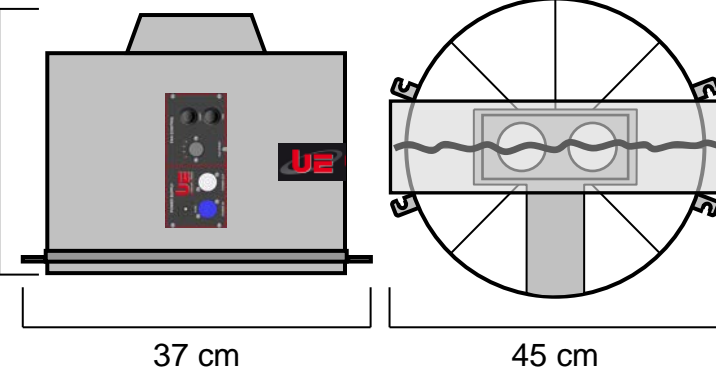
Item Code : PFPFAF002123

The EU Head AirFlame Light allows you to create a decorative and powerful visual effect for the event. This version is equipped with 2 MR16 halogen lamps of 71W each in tight beam pattern. Fire-colored removable dichroic filters give the illusion of a real flame.

Realism is bluffing! Without the filters, the powerful white lighting will highlight the inflatables. Two versions to choose from: Light Std for manual control or Light DMX for remote control. The concept we have developed gives you the choice to use this head for 4 different effects: Flames of Silk, Windsock, Characters and Inflatable Forms such as cones. This head comes with 2 accessories included, a silk flame holder and a strapping for the inflatables.

NOMENCLATURE :

- 1 x UE Head AirFlame 350 Light STD
- 1 x Flame Holder
- 1 x Silk Flame 3m
- 1 x Strapping for Inflatables
- 1 x Power Cable 2m PowerCon



TECHNICAL SPECIFICATIONS :

Size : 35 x 45 x 37 cm
Weight : 6,6 Kg

Electrical Specifications :
230V – 50Hz – 150W – 0.7A

Equipped with 2 lamps MR16-71W 10 ° + dichroic filters

FEATURES :

Removable flame holder.
Delivered with a strapping for hanging Design
Inflatable, Airships and Characters. Possibilities of
height of flame: from 2 to 4m Possibility of heights of
fixtube from 3 to 6m
Possibilities of heights of figure of 3m

BASES USABLE :

- UE K- Base 350
- UE ST- Base 350
- UE XT- Base 350

CONSUMABLES :

Silk Flame : Flamme de soie
Designs : Formes gonflables
Figures : Personnages gonflables
Fly Tube : Manches à air

Made of ALUMINUM and INOX, the Head AirFlame 350 Light STD is built to last. Each element has been chosen for its quality and efficiency.

Universal Effects, La qualité et l'innovation Fabriqué en France

Universal Effects est une Marque fabriquée et distribuée par la société Premium Factory SAS
1 Route Neuve, 71710 MONTCENIS - FRANCE | Email info@premiumfactory.eu | www.premiumfactory.eu
Société Anonyme Simplifiée au capital de 1 000 € | Siret 840 703 797 00018 | VAT Nr: FR47840703797