



TECHNICAL DATASHEET

UE Head Mist & Rain 500 Solo

Item Code : PFPFRA001458

The UE Head Mist and Rain allows you to create your own weather.
To refresh the mood, project water mist mode.
When you need to create a well-watered scene with wind, switch to rain mode.
Effect used in cinema, video production and theme park.

NOMENCLATURE :

- 1 x UE Head Mist & Rain 500



TECHNICAL SPECIFICATIONS:

Size : 59 x 42 x 51 cm

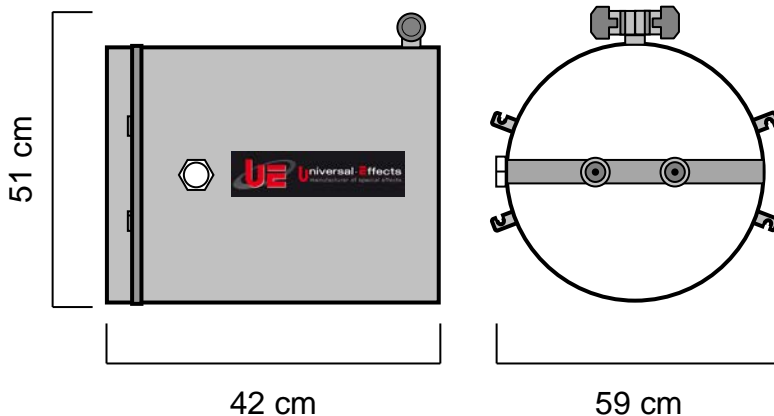
Weight : 10.5 Kg

NECESSARY ACCESSORIES:

Pompe 500: Size : 47 x 23 x 37 cm
 Weight : 17,4 Kg
 Electrical Specifications:
 230V – 50Hz – 1300W – 6,1A

Hose Kit: Hose Lenght : 5 m et 7 m

Hose Weight : 5,6 kg



BASES USABLE :

- UE ST- Base 500
- UE XT- Base 500

CONSUMPTION :

- On EU ST / XT- Base 500 mist cloud projection at 10m.
- Water consumption with mist nozzle: 6L / mn
- On EU ST / XT- Base 500 rain projection at 10m.
- Water consumption with 2 rain nozzles: 74L / mn

CONSUMABLE :

water (provide storage barrel).

Universal Effects, La qualité et l'innovation Fabriqué en France

Universal Effects est une Marque fabriquée et distribuée par la société Premium Factory SAS
1 Route Neuve, 71710 MONTCENIS - FRANCE | Email info@premiumfactory.eu | www.premiumfactory.eu
Société Anonyme Simplifié au capital de 1 000 € | Siret 840 703 797 00018 | VAT Nr: FR47840703797