



# TECHNICAL DATASHEET

## UE Head Projection Tube

Item Code : PFPTPJ007018

The UE Head Projection Tube is a compact head with confetti and paper snow projection.  
Low noise and very reliable, with a powerful ventilation system, it is very easy to use.  
Working more particularly with rectangle or square stage confetti as well as with paper snow, it allows to carry out very targeted professional performances.  
Comes with a suction hose with handle.

### NOMENCLATURE :

- 1 x UE Head Projection Tube
- 1 x Suction hose 2m



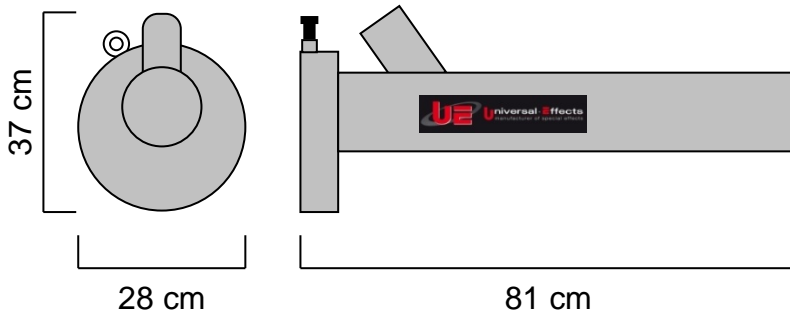
### TECHNICAL SPECIFICATIONS :

Size : 81 x 28 x 37 cm  
Weight : 5 Kg

### FEATURES :

Delivered with a suction pipe of 2 meters equipped with a handle.

Projection of confetti from 8 to 10m.



### CONSOMMABLES :

Confetti of paper or metal scene.  
Snow Paper or plastic.  
Rose petal.

### OPTIONAL ACCESSORIES :

- UE Box Switch or Dimmer
- UE Manual Tank

Made of ALUMINUM and INOX, the UE Head Projection Tube is built to last. Each element has been chosen for its quality and efficiency.

**Universal Effects, La qualité et l'innovation Fabriqué en France**

Universal Effects est une Marque fabriquée et distribuée par la société Premium Factory SAS  
1 Route Neuve, 71710 MONTCENIS - FRANCE | Email [info@premiumfactory.eu](mailto:info@premiumfactory.eu) | [www.premiumfactory.eu](http://www.premiumfactory.eu)  
Société Anonyme Simplifiée au capital de 1 000 € | Siret 840 703 797 00018 | VAT Nr: FR47840703797