



TECHNICAL DATASHEET

UE Head Snow Tube

Item Code : PFPTME007012

The UE Head Snow Tube works by air compression without a pump.
Compact and powerful, it is designed for easy use.
Low noise and very reliable, it can be used both posed or suspended and adapts as well in animation, concert, theater or TV set.
This machine is delivered with its support and its 5L can and remote quick connections.

NOMENCLATURE :

- 1 x UE Head Snow Tube
- 1 x Bottle holder Capacity 5 L with Harting connector



TECHNICAL SPECIFICATIONS :

Size : 35 x 29 x 47 cm
Weight : 7.6 Kg

Electrical Specifications :
230V – 50Hz – 600W – 2.6A – IP 44

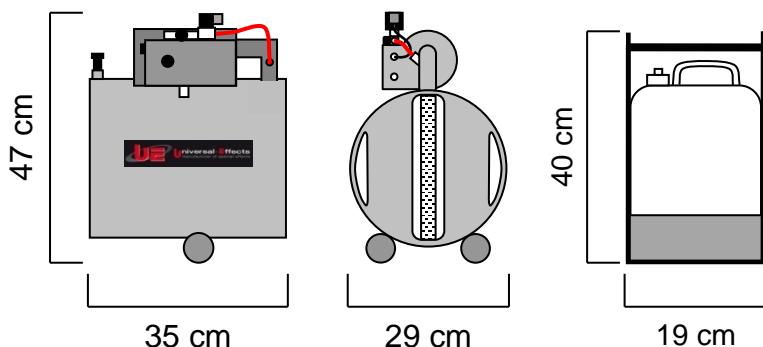
Compressed air system, without pump, ultra reliable.

FEATURES :

Possibility of regulating the effect by varying fluid and air flow rates.

Projection over a distance of 8 to 12m.

Consumption in ST-Power Snow Fluid RTU (ready-to-use snow liquid): 8-12 L / h.



CONSUMABLES :

- ST- Snow Fluid RTU
- ST- Snow Fluid CC

OPTIONAL ACCESSORIES :

- UE Auto Tank Filler

Made of ALUMINUM and INOX, the UE Head Snow Tube is built to last. Each element has been chosen for its quality and efficiency.

Universal Effects, La qualité et l'innovation Fabriqué en France

Universal Effects est une Marque fabriquée et distribuée par la société Premium Factory SAS
1 Route Neuve, 71710 MONTCENIS - FRANCE | Email info@premiumfactory.eu | www.premiumfactory.eu
Société Anonyme Simplifiée au capital de 1 000 € | Siret 840 703 797 00018 | VAT Nr: FR47840703797