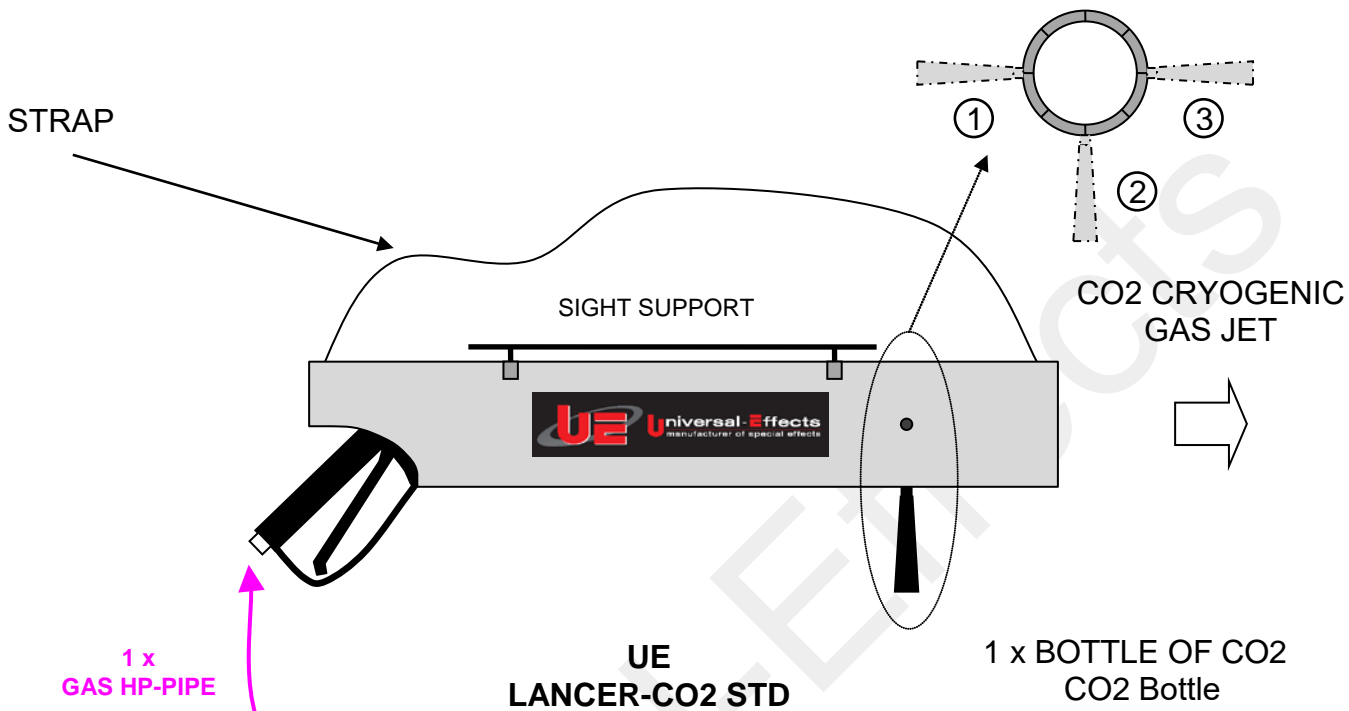


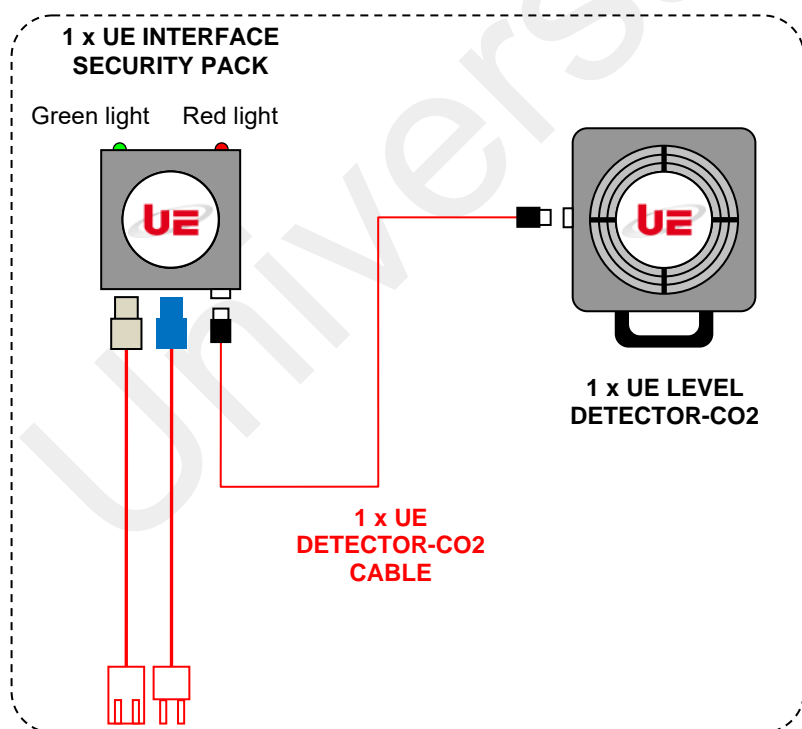
TECHNICAL DIAGRAM UE LANCER-CO2 STD

POSSIBILITY TO MOVE HANDLE ON 3 POSITIONS



1 x BOTTLE OF CO2
CO2 Bottle
with dip tube
(Bottle not included; Ask for
our Gas Partner contract)

OPTION INTERFACE SAFETY PACK



Power Supply
220V – 50Hz

1 x UE
CONNECTION
SYSTEM CO2

OR

1 x CONNECTION
ECO

