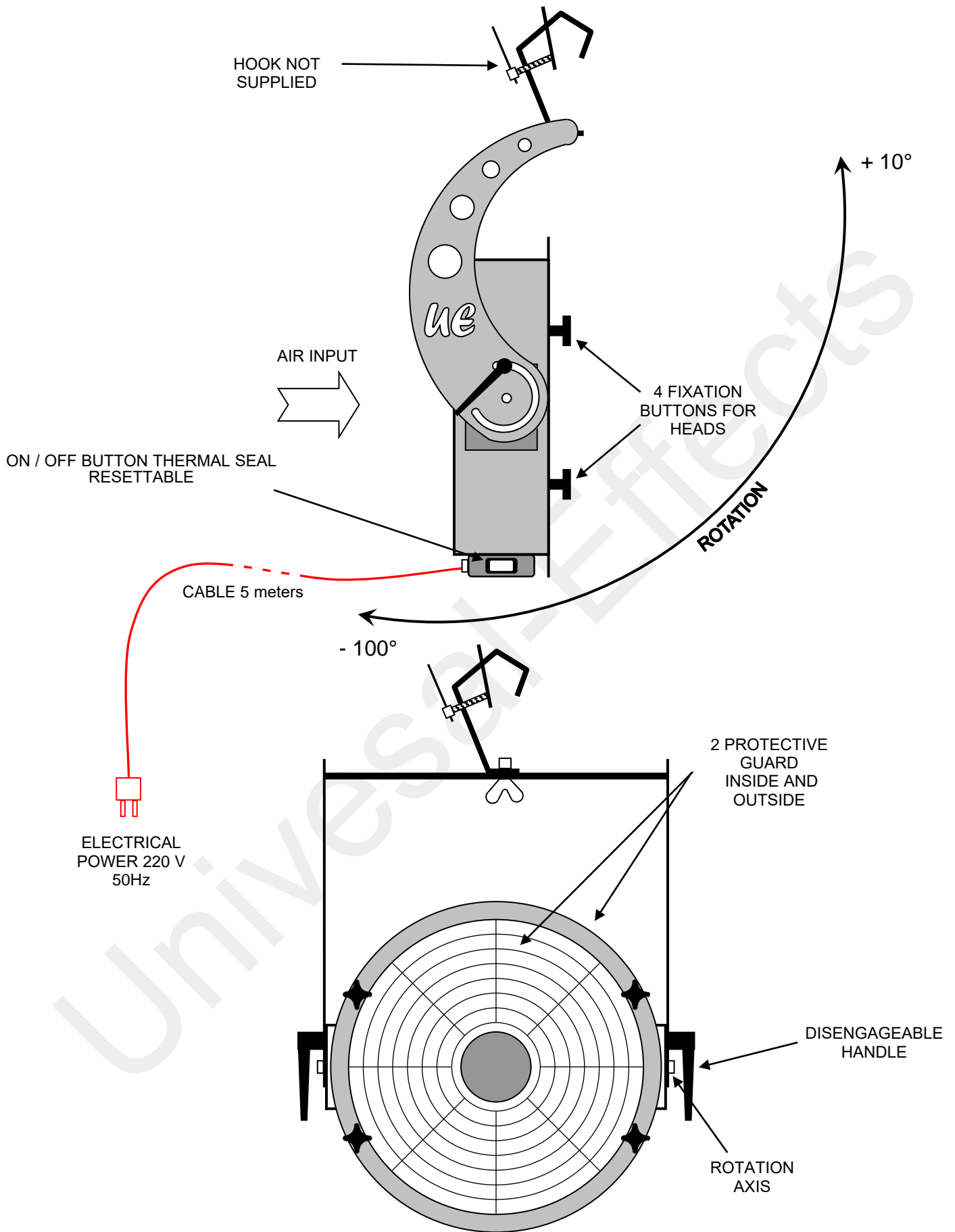
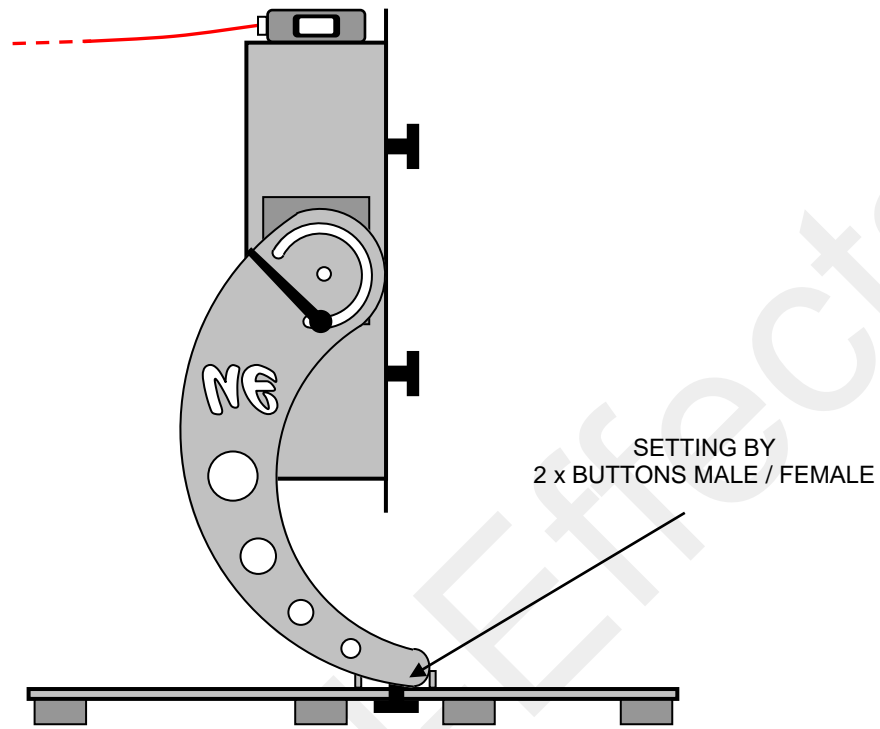


# TECHNICAL DIAGRAM – UE K-BASE 350 & 500



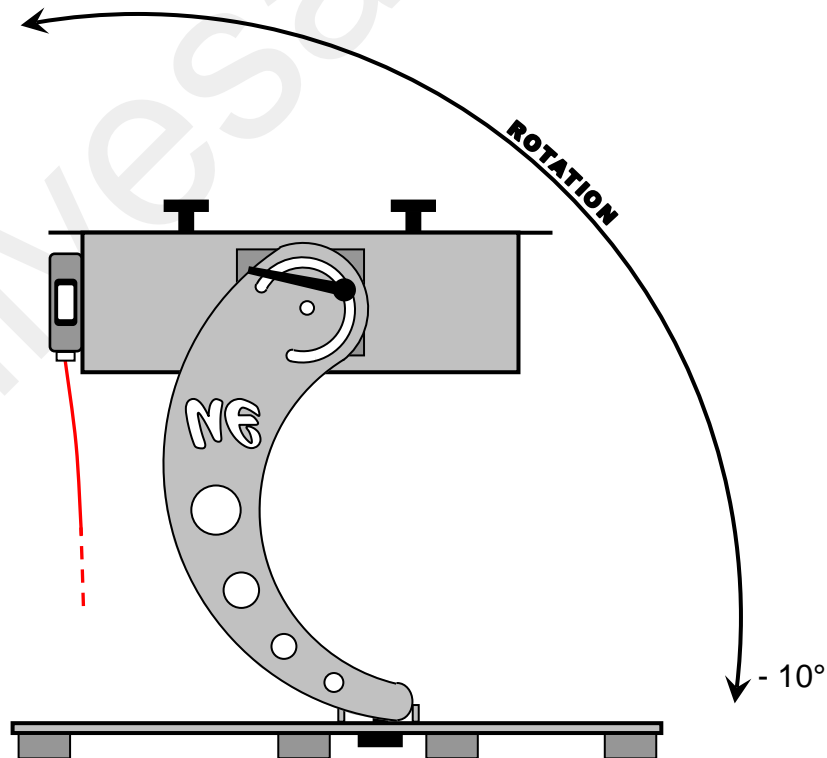
SCREWS AND HARDWARE IN STAINLESS – ALUMINIUM BODY – VERY COMPACT

# TECHNICAL DIAGRAM – UE K- BASE 350 & 500 WITH GROUND SUPPORT OPTION



**GROUND SUPPORT**  
REF : UE GROUND FOOT K-350 & K-500

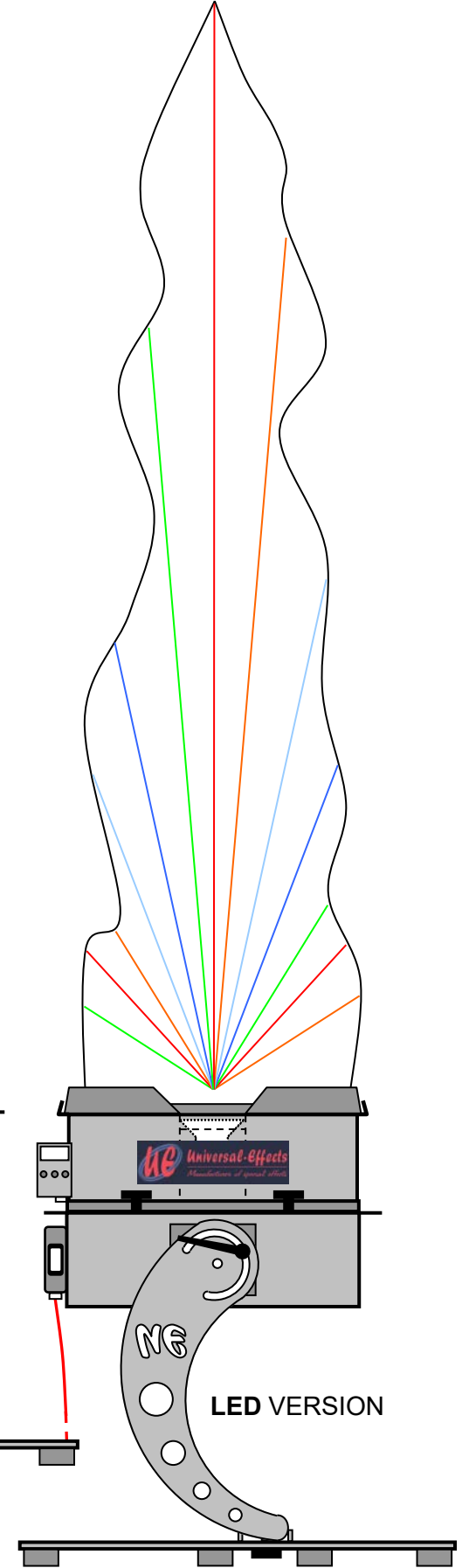
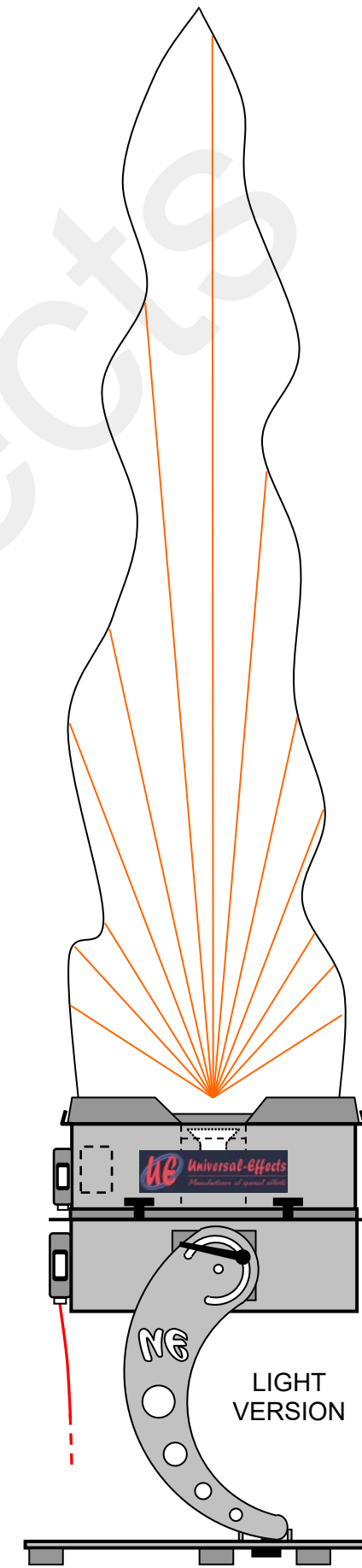
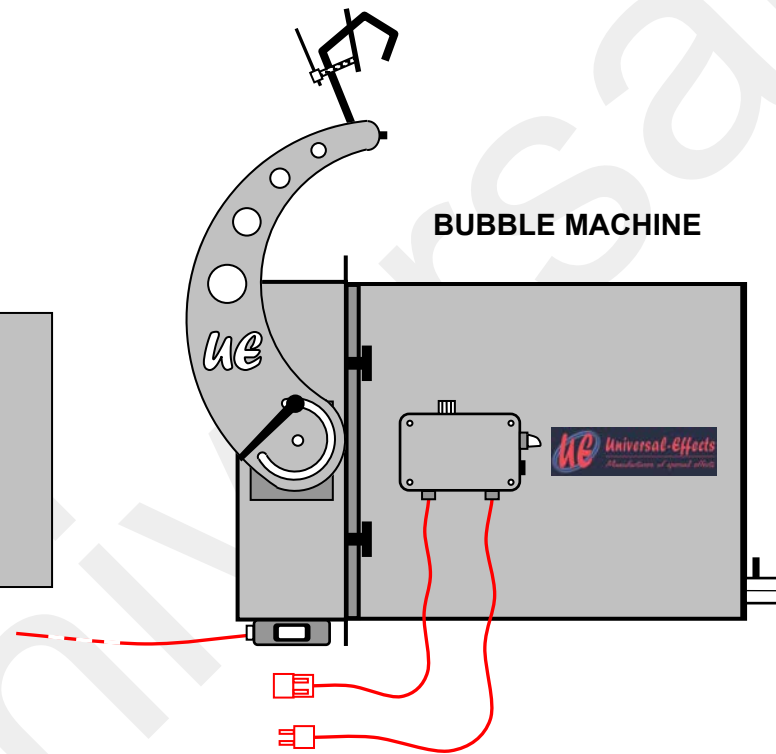
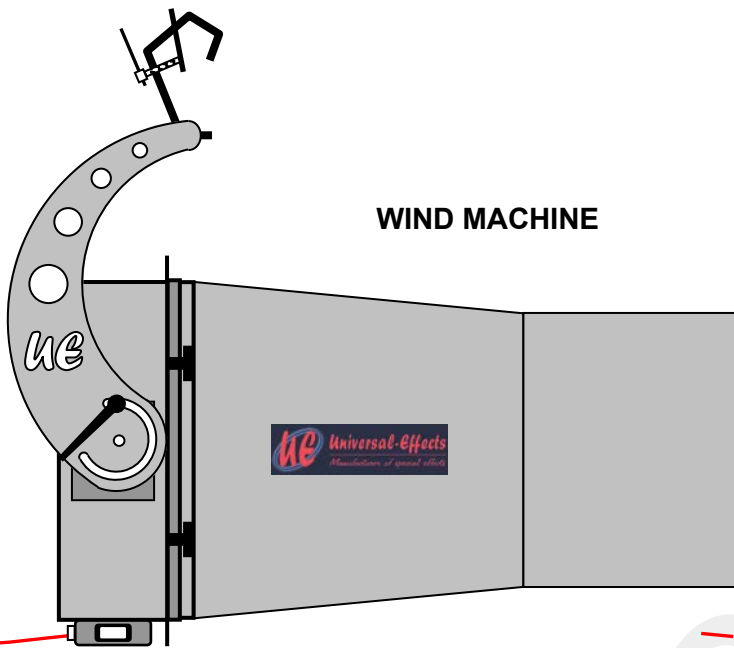
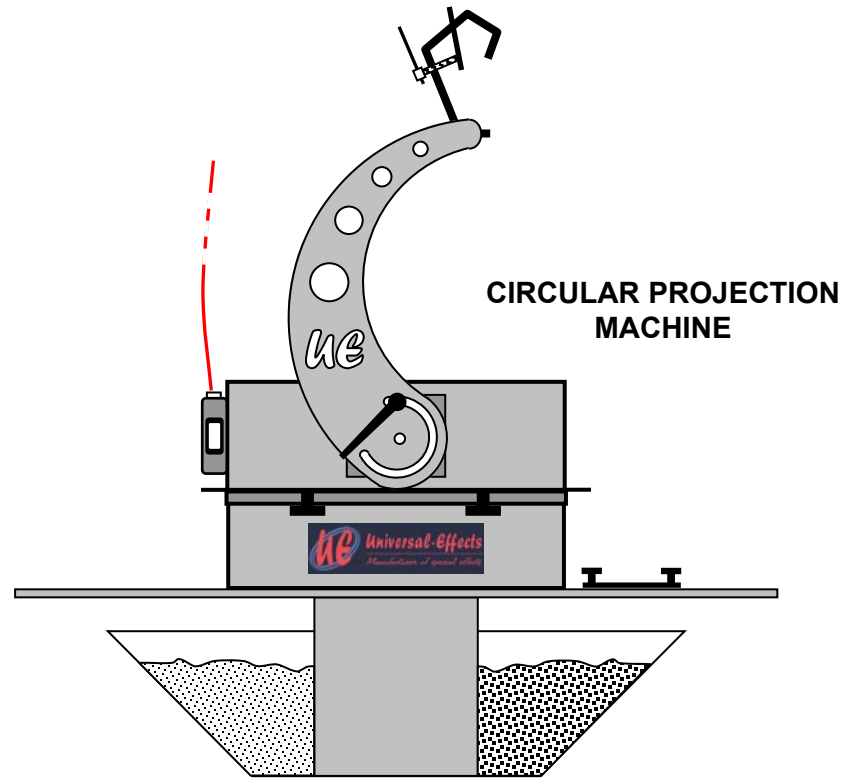
+ 100°



- 10°

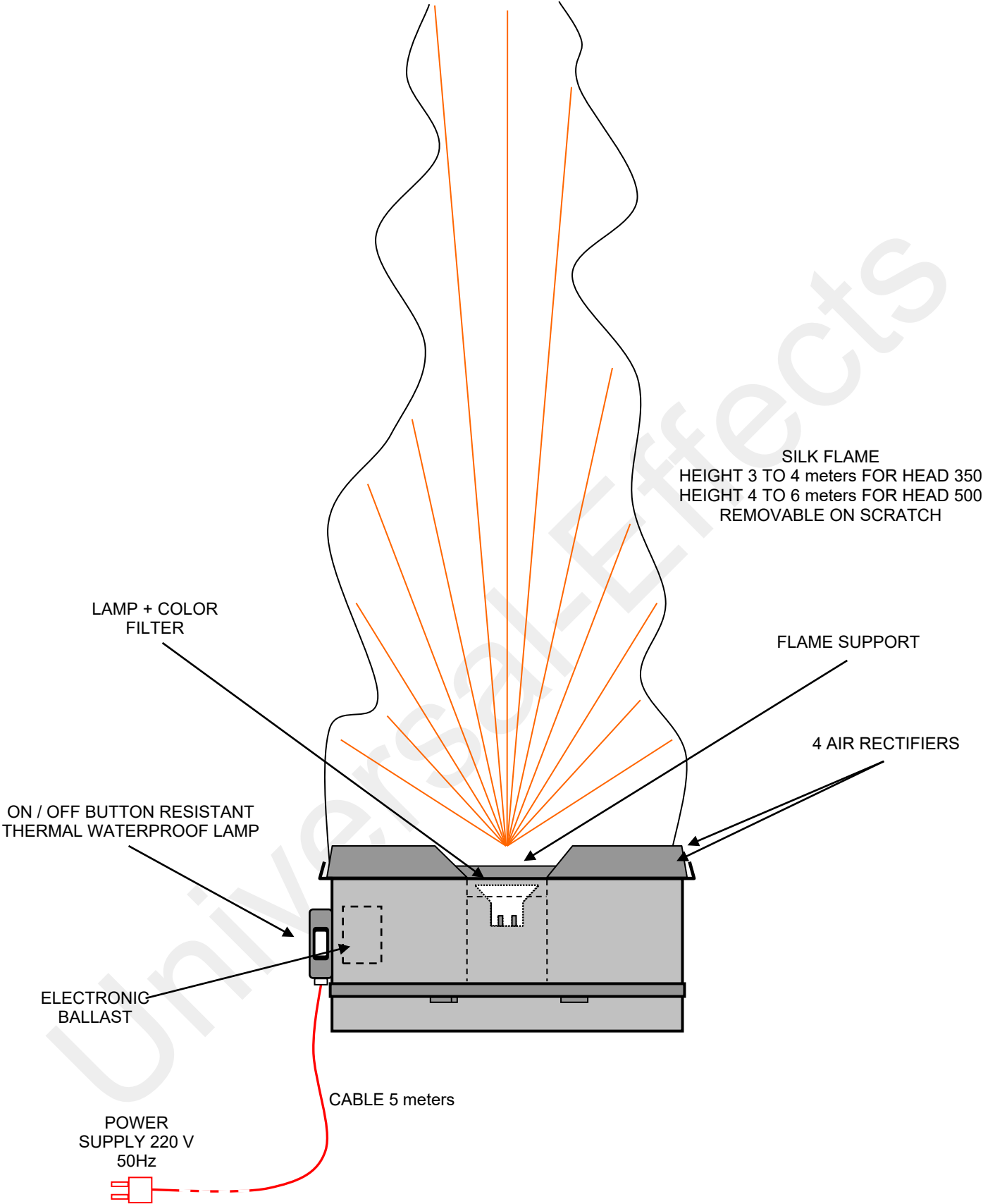
SCREWS AND HARDWARE IN STAINLESS – ALUMINIUM BODY – VERY COMPACT

# COMBINATIONS WITH UE K-BASE 500



AIRFLAME MACHINE

# TECHNICAL DIAGRAM – UE HEAD AIRFLAME LIGHT



- VERY POWERFUL LAMP (METALLIC IODIDE)
- REMOVABLE DICHROIC GLASS ORANGE FILTER

VISSERIE & QUINCAILLERIE EN INOX – CORPS EN ALUMINIUM