

UE TECHNICAL DATASHEET

UE K- Base 350 DMX

Item Code : PFPFBA001111

The UE K-Base 350 DMX is compact, economical and quiet. It is intended for small and medium fixed or mobile installations and visual performances with virtual flames and inflatable Designs. It allows individual or multiple use autonomously, disseminated within the lighting. The variation of the speed is electronically controllable locally and in DMX. The base is equipped with professional connectors and a resettable fuse.

NOMENCLATURE :

- 1 x UE K- Base 350 DMX
- 4 x Boutons de serrages pour les têtes
- 1 x PowerCon cable 5m



TECHNICAL SPECIFICATIONS :

Size : 28 x 62 x 65 cm

Weight : 13 Kg

Electrical Specifications :

230V – 50/60Hz – 355W – 1.55A – IP 44

Conforming to CE standards ERP 2015

FEATURES :

Noise 74 dB / 3m inside (high speed version).

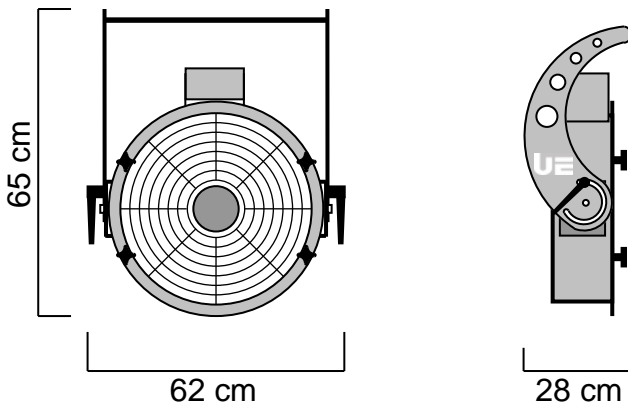
110 ° vertical adjustment.

Possibility of hanging under structure.

Optional floor stand.

Electronic variation of the integrated speed.

Integrates an electronic control with Timer and DMX.



HEADS USABLES :

UE Head Foam 350

UE Head Snow 350

UE Head Twin 350

UE Head Fragances 350

UE Head Jet-Bubbles 350

UE Head Striptease 350

UE Head Wind 350

UE Head AirFlame 350

OPTIONAL ACCESSORIES :

- UE Ground Foot 350

Made of ALUMINUM and INOX, the UE K-Base 350 DMX is built to last. Each element has been chosen for its quality and efficiency.

Universal Effects, La qualité et l'innovation Fabriqué en France

Universal Effects est une Marque fabriquée et distribuée par la société Premium Factory SAS
1 Route Neuve, 71710 MONTCENIS - FRANCE | Email info@premiumfactory.eu | www.premiumfactory.eu
Société Anonyme Simplifiée au capital de 1 000 € | Siret 840 703 797 00018 | VAT Nr: FR47840703797



TECHNICAL DATASHEET

UE Head Jet-Bubbles 350

Item Code : PFPFJB001116

The UE Head Jet-Bubble throws bubbles in large quantities. Carry your audience into a magical world that will succumb to the magic of bubbles.

Be amazed by this concept that creates a real big show.

Comes with two wheels for two effects: small bubbles with a diameter of 1.5 cm and large bubbles with a diameter of 3 cm.



NOMENCLATURE :

- 1 x UE Head Jet-Bubbles 350
- 2 x Bubble Wheels

TECHNICAL SPECIFICATIONS :

Size : 45 x 37 x 35 cm

Weight : 5.6 Kg

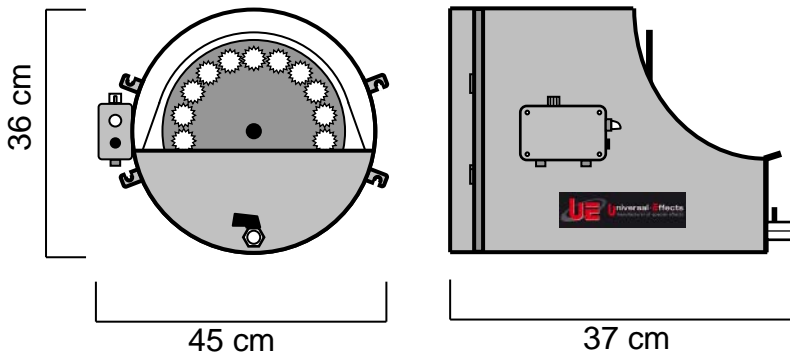
Electrical Specifications:

230V – 50Hz – 10W – 0.04A

Capacity : 5,3 L

FEATURES :

The head is equipped with an electric dimmer for the base. Delivered with 2 bubble wheels: a wheel with small holes and a wheel with large holes.



BASES USABLE :

- UE K- Base 350
- UE ST- Base 350
- UE XT- Base 350

OPTIONAL ACCESSORIES :

- Power Auto Tank Filler

CONSUMPTION :

- On UE ST / XT- Base 350 projection of a bubble jet of 8 to 10m.
- On UE K- Base 350 projection of a bubble jet of 6 to 8m.
- Consumption in CC bubble liquid: 3 L / h
- Consumption in water + fluid preparation: 6 L / h

CONSUMABLES :

- XT-Bubble Fluid CC Diluted à 50% in water.
- XT- Bubble Fluid RTU Ready To Use.

Universal Effects, La qualité et l'innovation Fabriqué en France

Universal Effects est une Marque fabriquée et distribuée par la société Premium Factory SAS
1 Route Neuve, 71710 MONTCENIS - FRANCE | Email info@premiumfactory.eu | www.premiumfactory.eu
Société Anonyme Simplifiée au capital de 1 000 € | Siret 840 703 797 00018 | VAT Nr: FR47840703797