

UE TECHNICAL DATASHEET

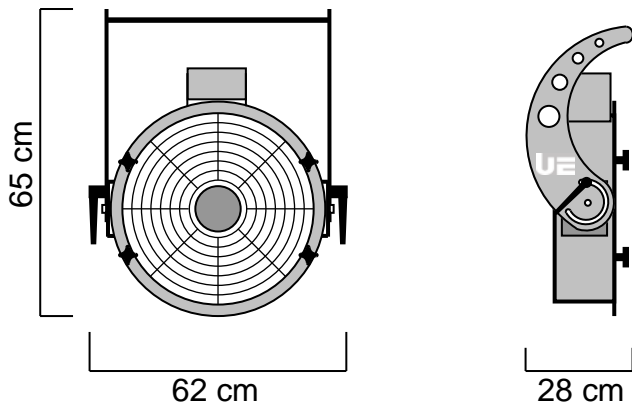
UE K- Base 350 DMX

Item Code : PFPFBA001111

The UE K-Base 350 DMX is compact, economical and quiet. It is intended for small and medium fixed or mobile installations and visual performances with virtual flames and inflatable Designs. It allows individual or multiple use autonomously, disseminated within the lighting. The variation of the speed is electronically controllable locally and in DMX. The base is equipped with professional connectors and a resettable fuse.

NOMENCLATURE :

- 1 x UE K- Base 350 DMX
- 4 x Boutons de serrages pour les têtes
- 1 x PowerCon cable 5m



TECHNICAL SPECIFICATIONS :

Size : 28 x 62 x 65 cm

Weight : 13 Kg

Electrical Specifications :

230V – 50/60Hz – 355W – 1.55A – IP 44

Conforming to CE standards ERP 2015

FEATURES :

Noise 74 dB / 3m inside (high speed version).

110 ° vertical adjustment.

Possibility of hanging under structure.

Optional floor stand.

Electronic variation of the integrated speed.

Integrates an electronic control with Timer and DMX.

HEADS USABLES :

UE Head Foam 350

UE Head Snow 350

UE Head Twin 350

UE Head Fragances 350

UE Head Jet-Bubbles 350

UE Head Striptease 350

UE Head Wind 350

UE Head AirFlame 350

OPTIONAL ACCESSORIES :

- UE Ground Foot 350

Made of ALUMINUM and INOX, the UE K-Base 350 DMX is built to last. Each element has been chosen for its quality and efficiency.

Universal Effects, La qualité et l'innovation Fabriqué en France

Universal Effects est une Marque fabriquée et distribuée par la société Premium Factory SAS
1 Route Neuve, 71710 MONTCENIS - FRANCE | Email info@premiumfactory.eu | www.premiumfactory.eu
Société Anonyme Simplifiée au capital de 1 000 € | Siret 840 703 797 00018 | VAT Nr: FR47840703797

UE Head Wind 350

Item Code : PFPFWI001119

The UE Head Wind makes it possible to direct the wind in a concentrated beam.
Used without a head, our bases produce a powerful and wide wind effect.
The head doubles the range of the airflow by reducing the opening of the effect.
It also creates an acceleration phenomenon by increasing the wind speed.
It is advisable to equip yourself with a power variator to precisely control the desired effect.

NOMENCLATURE :

- 1 x UE Head Wind 350



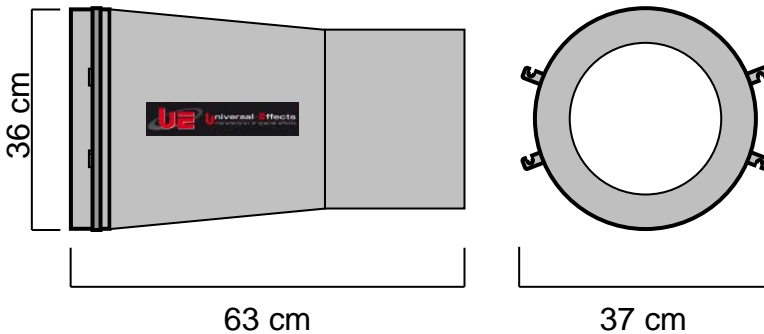
TECHNICAL SPECIFICATIONS :

Size : 63 x 37 x 36 cm

Weight : 3.8 Kg

FEATURES :

Wind directed and accelerated.
Allows precision and significant scope.



BASES USABLE :

- UE K- Base 350
- UE ST- Base 350
- UE XT- Base 350

SPEED AND WIND FLOW :

On UE K-Base 350 the output speed is 50Km / h with a flow rate of 80m³ / min.
On UE ST-Base 350 the output speed is 71Km / h with a flow rate of 144m³ / min.
On EU XT-Base 350 the output speed is 64Km / h with a flow rate of 51 m³ / min.

Made of ALUMINUM, the Head Wind 350 is built to last. Each element has been chosen for its quality and efficiency.

Universal Effects, La qualité et l'innovation Fabriqué en France