



TECHNICAL DATASHEET

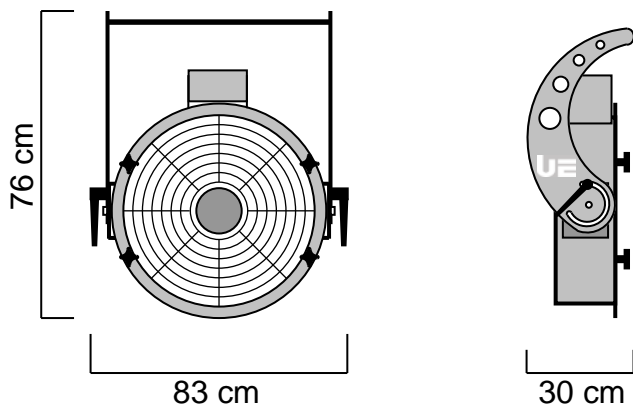
UE K- Base 500 DMX

Item Code : PFPFBA001211

The UE K-Base 500 DMX is compact, economical and quiet. It is intended for small and medium fixed or mobile installations and visual performances with virtual flames and inflatable Designs. It allows individual or multiple use autonomously, disseminated within the lighting. The variation of the speed is electronically controllable locally and in DMX. The base is equipped with professional connectors and a resettable fuse.

NOMENCLATURE :

- 1 x UE K- Base 500 DMX
- 4 x Boutons de serrages pour les têtes
- 1 x PowerCon cable 5m



TECHNICAL SPECIFICATIONS :

Size : 30 x 83 x 76 cm

Weight : 19.8 Kg

Electrical Specifications :
230V – 50/60Hz – 355W – 1.5A – IP 44

Conforming to CE standards ERP 2015

FEATURES :

- Noise 74 dB / 3m inside (low speed version).
- 110 ° vertical adjustment.
- Possibility of hanging under structure.
- Optional floor stand.
- Electronic variation of the integrated speed.
- Integrates an electronic control with Timer and DMX.

HEADS USABLES :

- UE Head Wind 500
- UE Head AirFlame 500
- UE Head Fragances 500
- UE Head Jet-Bubbles 500
- UE Head Striptease 500

OPTIONAL ACCESSORIES :

- UE Ground Foot 500

Made of ALUMINUM and INOX, the UE K-Base 500 DMX is made to last. Each element has been chosen for its quality and efficiency.

Universal Effects, La qualité et l'innovation Fabriqué en France

Universal Effects est une Marque fabriquée et distribuée par la société Premium Factory SAS
1 Route Neuve, 71710 MONTCENIS - FRANCE | Email info@premiumfactory.eu | www.premiumfactory.eu
Société Anonyme Simplifiée au capital de 1 000 € | Siret 840 703 797 00018 | VAT Nr: FR47840703797



TECHNICAL DATASHEET

UE Head AirFlame 500

Item Code : PFPFAF002222

The UE Head AirFlame allows you to create a decorative and powerful visual effect for the event. This version without lighting system is perfectly designed for daytime use with great simplicity. The concept we have developed gives you the choice to use this head for 4 different effects: Flames of Silk, Windsock, Characters and Inflatable Forms such as cones. This head comes with 2 accessories included, a silk flame holder and a strapping for the inflatables.

NOMENCLATURE :

- 1 x UE Head AirFlame 500
- 1 x Flame Holder
- 1 x Silk Flame 5m
- 1 x Strapping for Inflatables

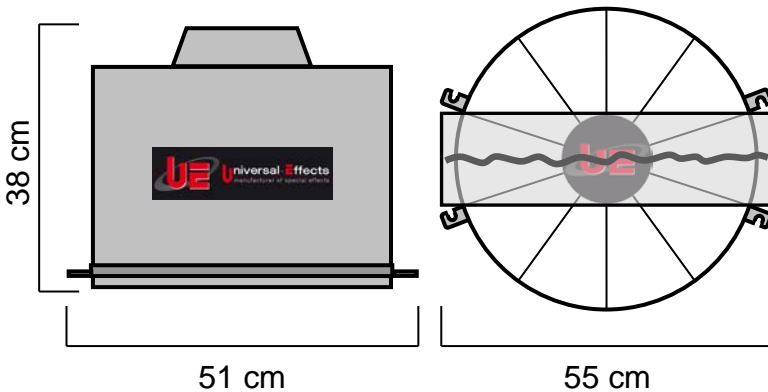


TECHNICAL SPECIFICATIONS :

Size : 38 x 55 x 51 cm
Weight : 9 Kg

FEATURES :

Removable flame holder.
Delivered with a strapping for hanging Design Inflatable, Airships and Characters.
Possibilities of flame heights: from 4 to 6m.
Possibilities of fixtube heights from 6 to 12m.
Possibilities of figure heights of 5m.



BASES USABLE :

- UE K- Base 500
- UE ST- Base 500
- UE XT- Base 500

CONSUMABLES :

Silk Flame : Flamme de soie
Designs : Formes gonflables
Figures : Personnages gonflables
Fly Tube : Manches à air

Made of ALUMINUM and INOX, the Head AirFlame 500 is built to last. Each element has been chosen for its quality and efficiency.

Universal Effects, La qualité et l'innovation Fabriqué en France

Universal Effects est une Marque fabriquée et distribuée par la société Premium Factory SAS
1 Route Neuve, 71710 MONTCENIS - FRANCE | Email info@premiumfactory.eu | www.premiumfactory.eu
Société Anonyme Simplifiée au capital de 1 000 € | Siret 840 703 797 00018 | VAT Nr: FR47840703797