

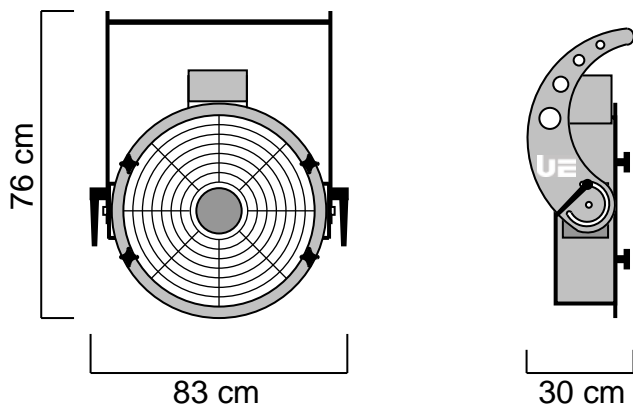
UE K- Base 500 DMX

Item Code : PFPFBA001211

The UE K-Base 500 DMX is compact, economical and quiet. It is intended for small and medium fixed or mobile installations and visual performances with virtual flames and inflatable Designs. It allows individual or multiple use autonomously, disseminated within the lighting. The variation of the speed is electronically controllable locally and in DMX. The base is equipped with professional connectors and a resettable fuse.

NOMENCLATURE :

- 1 x UE K- Base 500 DMX
- 4 x Boutons de serrages pour les têtes
- 1 x PowerCon cable 5m



TECHNICAL SPECIFICATIONS :

Size : 30 x 83 x 76 cm

Weight : 19.8 Kg

Electrical Specifications :
230V – 50/60Hz – 355W – 1.5A – IP 44

Conforming to CE standards ERP 2015

FEATURES :

- Noise 74 dB / 3m inside (low speed version).
- 110 ° vertical adjustment.
- Possibility of hanging under structure.
- Optional floor stand.
- Electronic variation of the integrated speed.
- Integrates an electronic control with Timer and DMX.

HEADS USABLES :

- | | |
|---|---|
| <ul style="list-style-type: none"> UE Head Wind 500 UE Head AirFlame 500 UE Head Fragances 500 | <ul style="list-style-type: none"> UE Head Jet-Bubbles 500 UE Head Striptease 500 |
|---|---|

OPTIONAL ACCESSORIES :

- UE Ground Foot 500

Made of ALUMINUM and INOX, the UE K-Base 500 DMX is made to last. Each element has been chosen for its quality and efficiency.

Universal Effects, La qualité et l'innovation Fabriqué en France

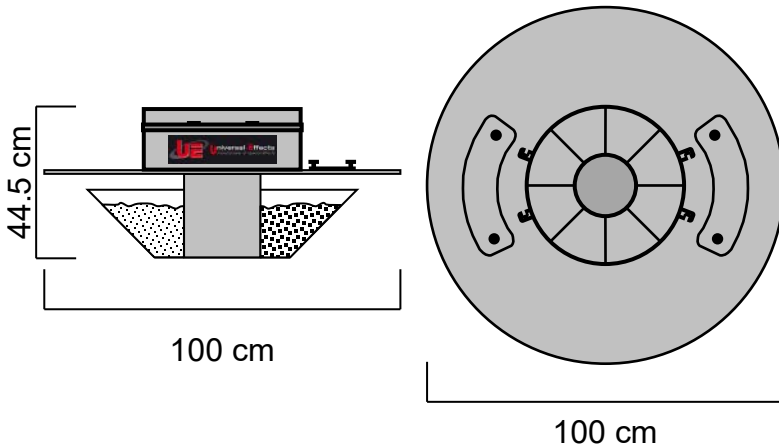
UE Head Striptease 500

Item Code : PFPJPJ001217

The UE Striptease is specially designed to create a falling Snow Paper effect, a rain of stage confetti or silver glitter. This machine spreads the effect on a very targeted area. Perfect for fashion shows or stage effects. With the use of a dimmer, the flow is adjustable at will.

NOMENCLATURE :

- 1 x UE Head Striptease 500



TECHNICAL SPECIFICATIONS :

Size : 100 x 100 x 44.5 cm

Weight : 12,8 Kg

Confetti tank capacity: from 5 to 6 kg depending on the consumable.

FEATURES :

Manual filling by the removable trapdoor of the top.

306 ° effect, projection from 3 to 5m.

BASE USABLE :

- UE K- Base 500

CONSUMPTION :

Duration of the effect from 2sec to 3min depending on the type of consumables and the speed variation.

CONSUMABLES :

Show Confetti, Snow Paper and Plastic, Glitter of Rain.

Universal Effects, La qualité et l'innovation Fabriqué en France