



# TECHNICAL DATASHEET

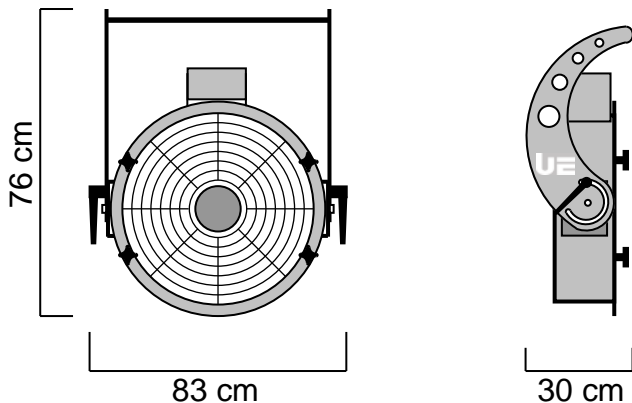
## UE K- Base 500 STD

Item Code : PFPFBA001221

The UE K-Base 500 STD is compact, economical and quiet. It is intended for small and medium fixed or mobile installations and visual performances with virtual flames and inflatable Designs. It allows individual or multiple use autonomously, disseminated within the lighting. The K-Power Base 500 STD incorporates a variation of speed and is equipped with professional connectors and a resettable fuse.

### NOMENCLATURE :

- 1 x UE K- Base 500 STD
- 4 x Boutons de serrages pour les têtes
- 1 x PowerCon cable 5m



### TECHNICAL SPECIFICATIONS :

Size : 30 x 83 x 76 cm

Weight : 19.8 Kg

Electrical Specifications :  
230V – 50/60Hz – 355W – 1.5A – IP 44

Conforming to CE standards ERP 2015

### FEATURES :

- Noise 74 dB / 3m inside (low speed version).
- 110 ° vertical adjustment.
- Possibility of hanging under structure.
- Optional floor stand.
- Electronic variation of the integrated speed.
- Base + Head Control by Manual Switch.

### HEADS USABLES :

- UE Head Wind 500
- UE Head Jet-Bubbles 500
- UE Head AirFlame 500
- UE Head Striptease 500
- UE Head Fragances 500

### OPTIONAL ACCESSORIES :

- UE Ground Foot 500

Made of ALUMINUM and INOX, the UE K-Base 500 STD is made to last. Each element has been chosen for its quality and efficiency.

**Universal Effects, La qualité et l'innovation Fabriqué en France**

Universal Effects est une Marque fabriquée et distribuée par la société Premium Factory SAS  
1 Route Neuve, 71710 MONTCENIS - FRANCE | Email info@premiumfactory.eu | www.premiumfactory.eu  
Société Anonyme Simplifié au capital de 1 000 € | Siret 840 703 797 00018 | VAT Nr: FR47840703797



# TECHNICAL DATASHEET

## UE Head Wind 500

Item Code : PFPFWI001219

The EU Head Wind makes it possible to direct the wind in a concentrated beam.  
Used without a head, our bases produce a powerful and wide wind effect.

The head doubles the range of the airflow by reducing the opening of the effect.

It also creates an acceleration phenomenon by increasing the wind speed.

It is advisable to equip yourself with a power variator to precisely control the desired effect.

### NOMENCLATURE :

- 1 x UE Head Wind 500



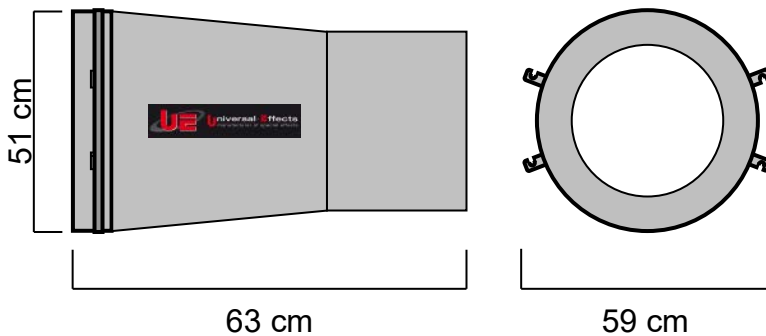
### TECHNICAL SPECIFICATIONS :

Size : 63 x 51 x 59 cm

Weight : 5 Kg

### FEATURES :

Wind directed and accelerated.  
Allows precision and significant scope.



### BASES USABLE :

- UE K- Base 500
- UE ST- Base 500
- UE XT- Base 500

### SPEED AND WIND FLOW :

On EU K-Base 500 the output speed is 44Km / h with a flow of 144 m<sup>3</sup> / min  
On EU ST-Base 500 the output speed is 75Km / h with a flow rate of 245 m<sup>3</sup> / min.  
On EU XT-Base 500 the output speed is 77Km / h with a flow rate of 80 m<sup>3</sup> / min.

Made of ALUMINUM, the Head Wind 500 is built to last. Each element has been chosen for its quality and efficiency.

**Universal Effects, La qualité et l'innovation Fabriqué en France**

Universal Effects est une Marque fabriquée et distribuée par la société Premium Factory SAS  
1 Route Neuve, 71710 MONTCENIS - FRANCE | Email [info@premiumfactory.eu](mailto:info@premiumfactory.eu) | [www.premiumfactory.eu](http://www.premiumfactory.eu)  
Société Anonyme Simplifié au capital de 1 000 € | Siret 840 703 797 00018 | VAT Nr: FR47840703797