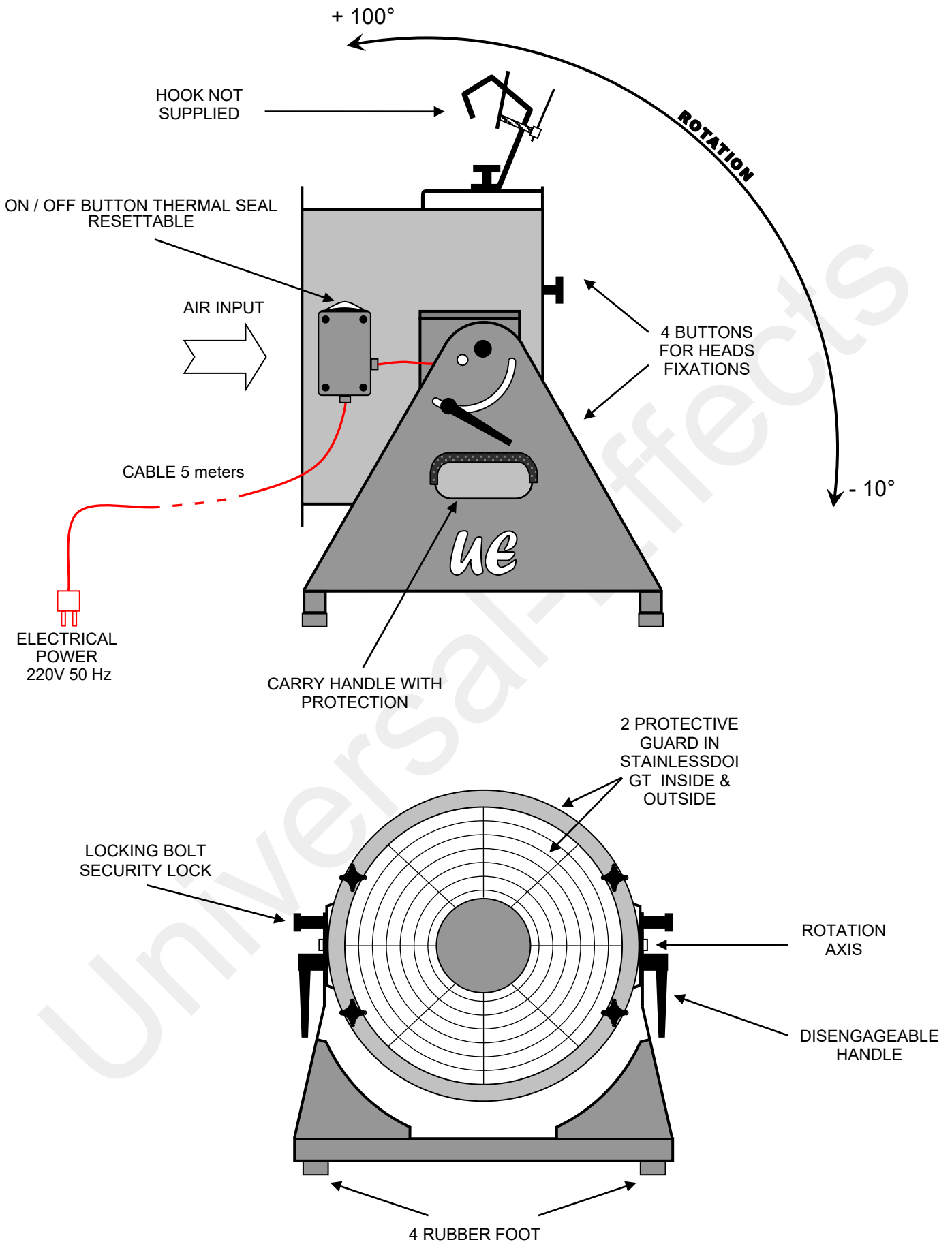
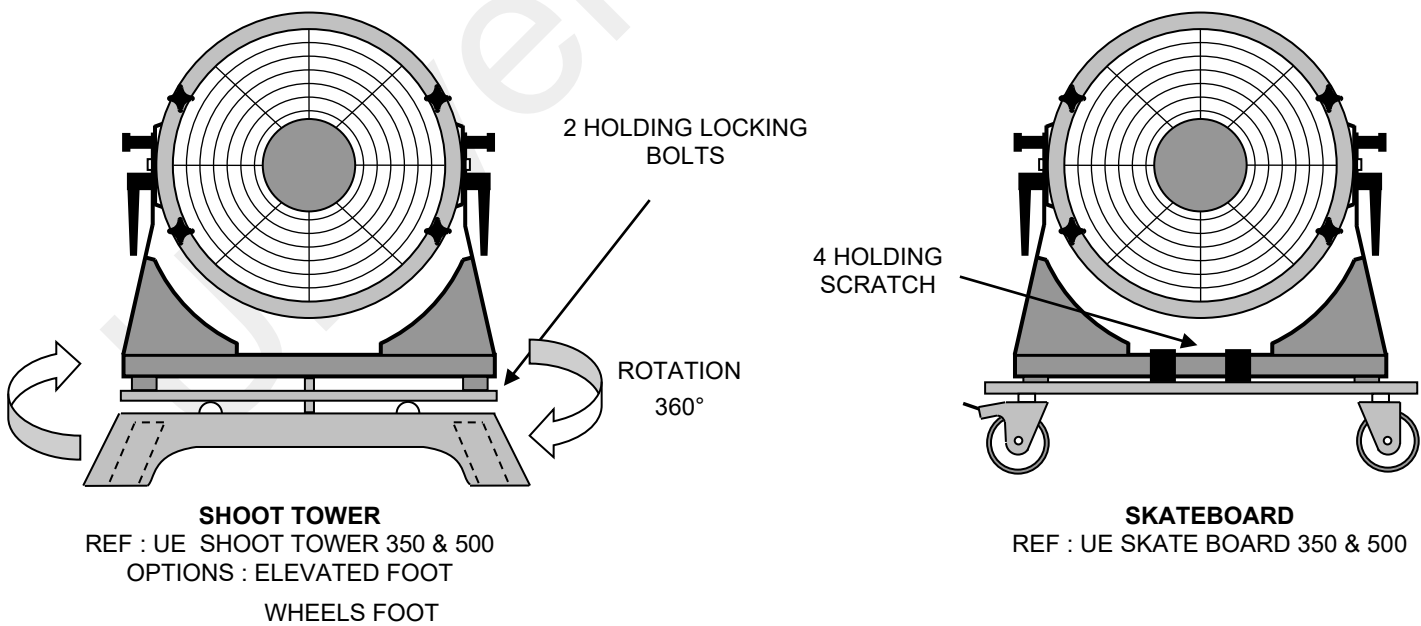
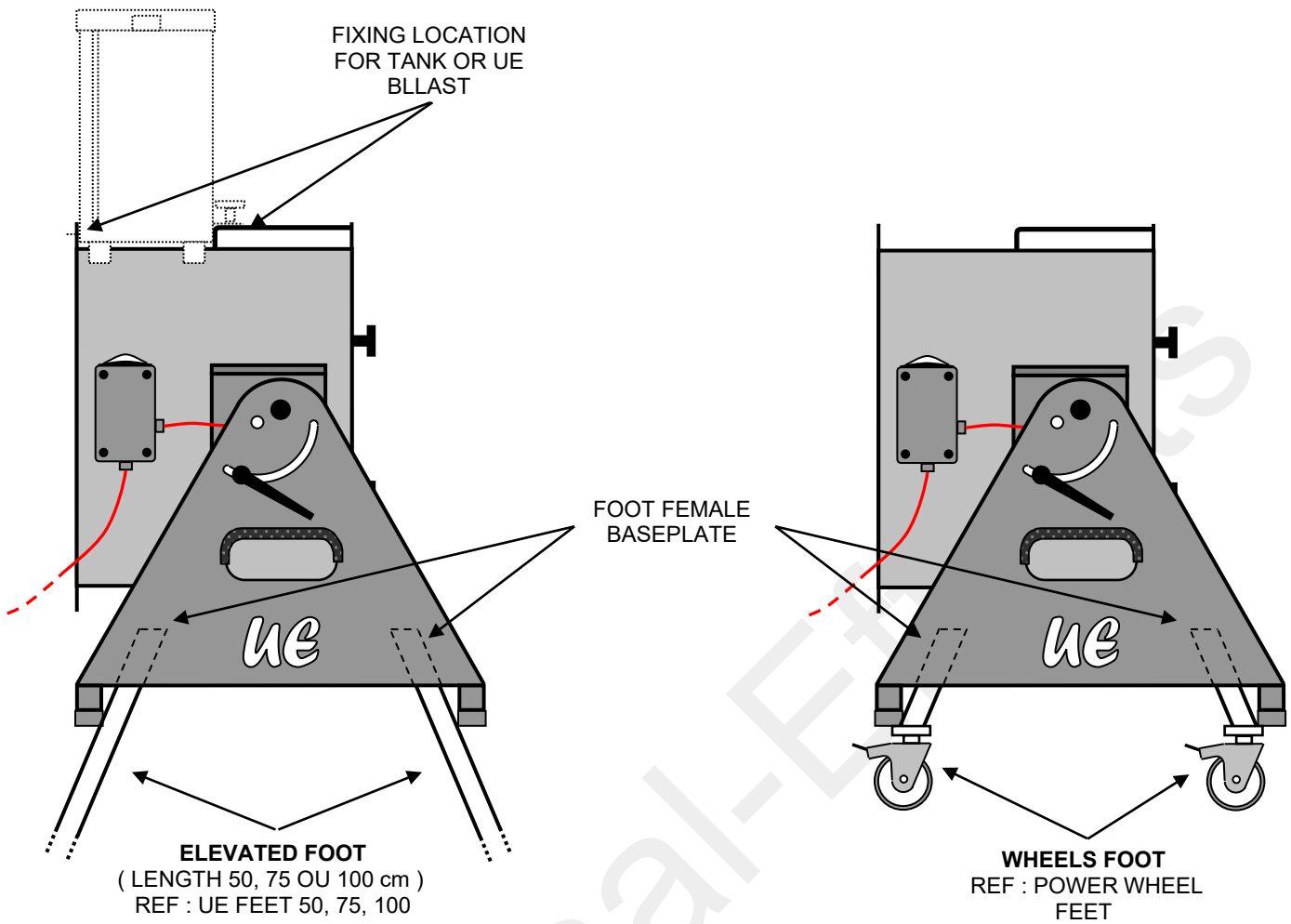


TECHNICAL DIAGRAM – UE ST- BASE 350 & 500



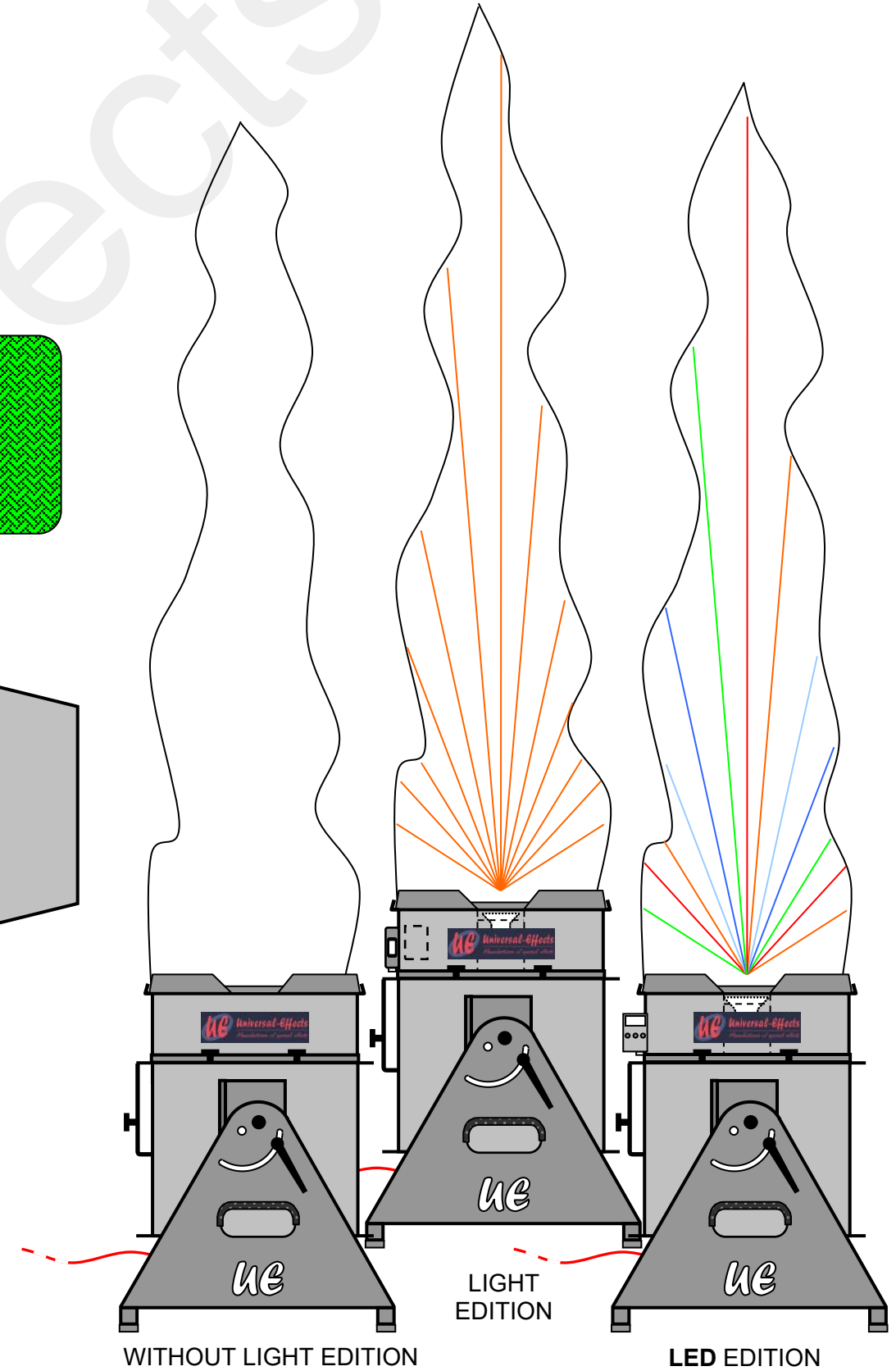
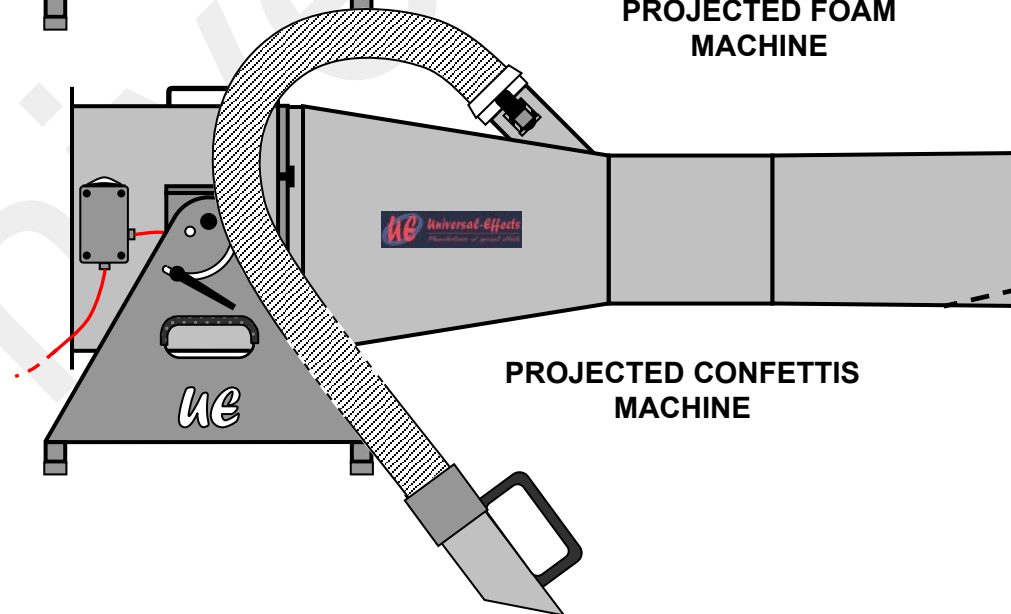
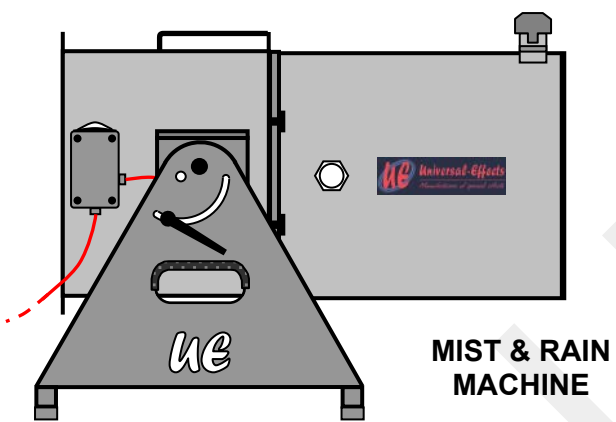
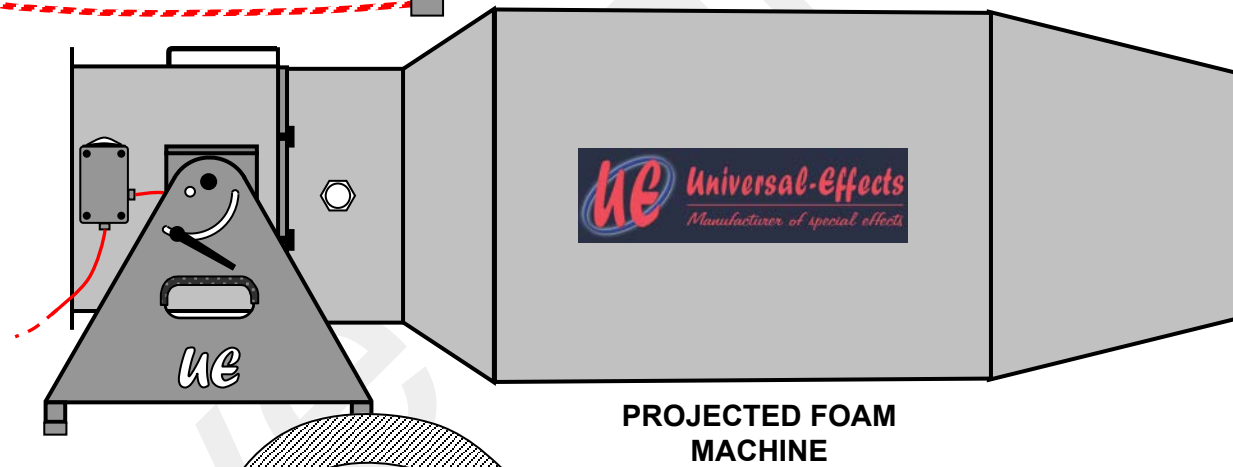
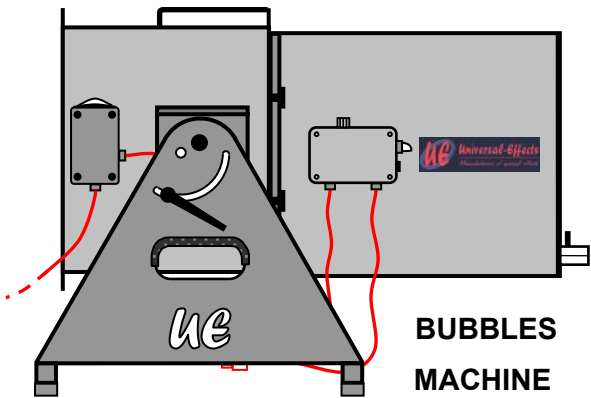
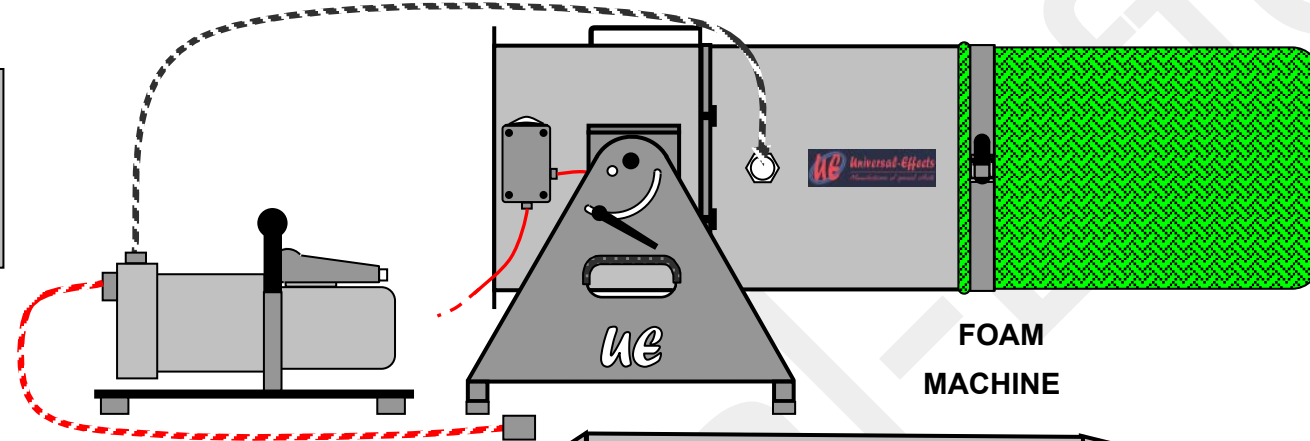
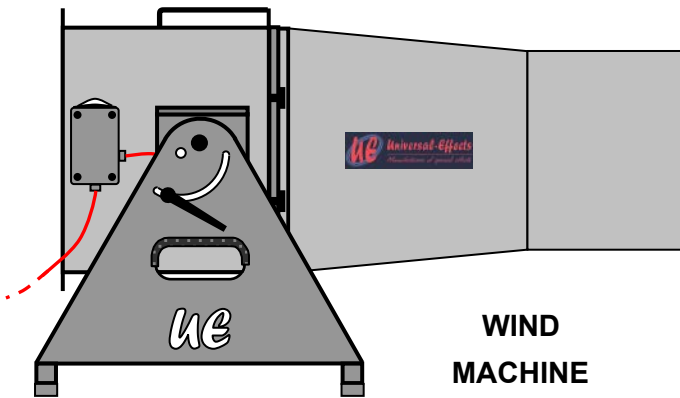
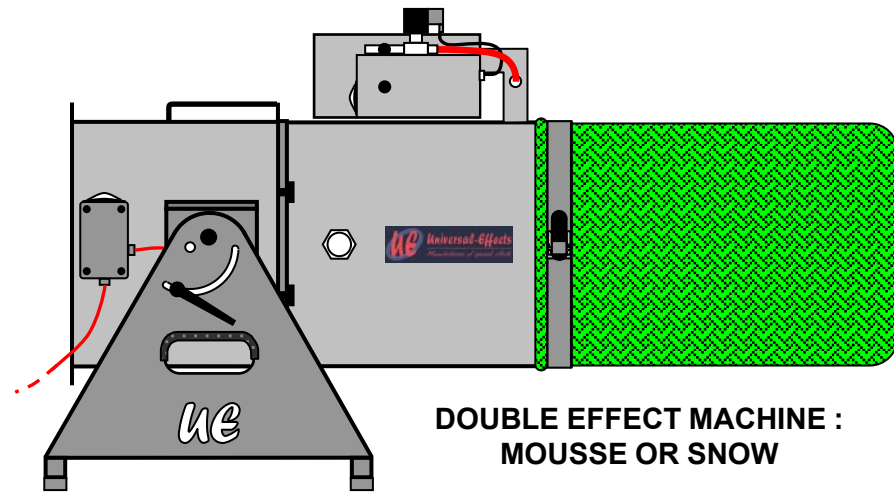
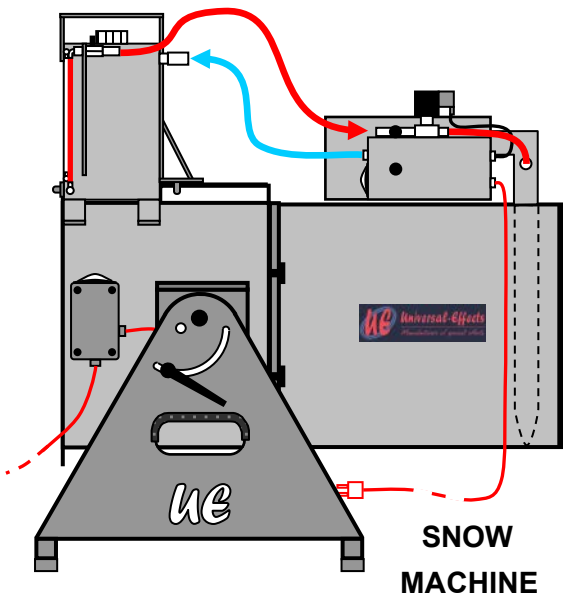
SCREWS AND HARDWARE IN STAINLESS – ALUMINIUM BODY – VERY POWERFUL

TECHNICAL DIAGRAM – UE ST- BASE 350 & 500 WITH 4 POSSIBLES OPTIONS

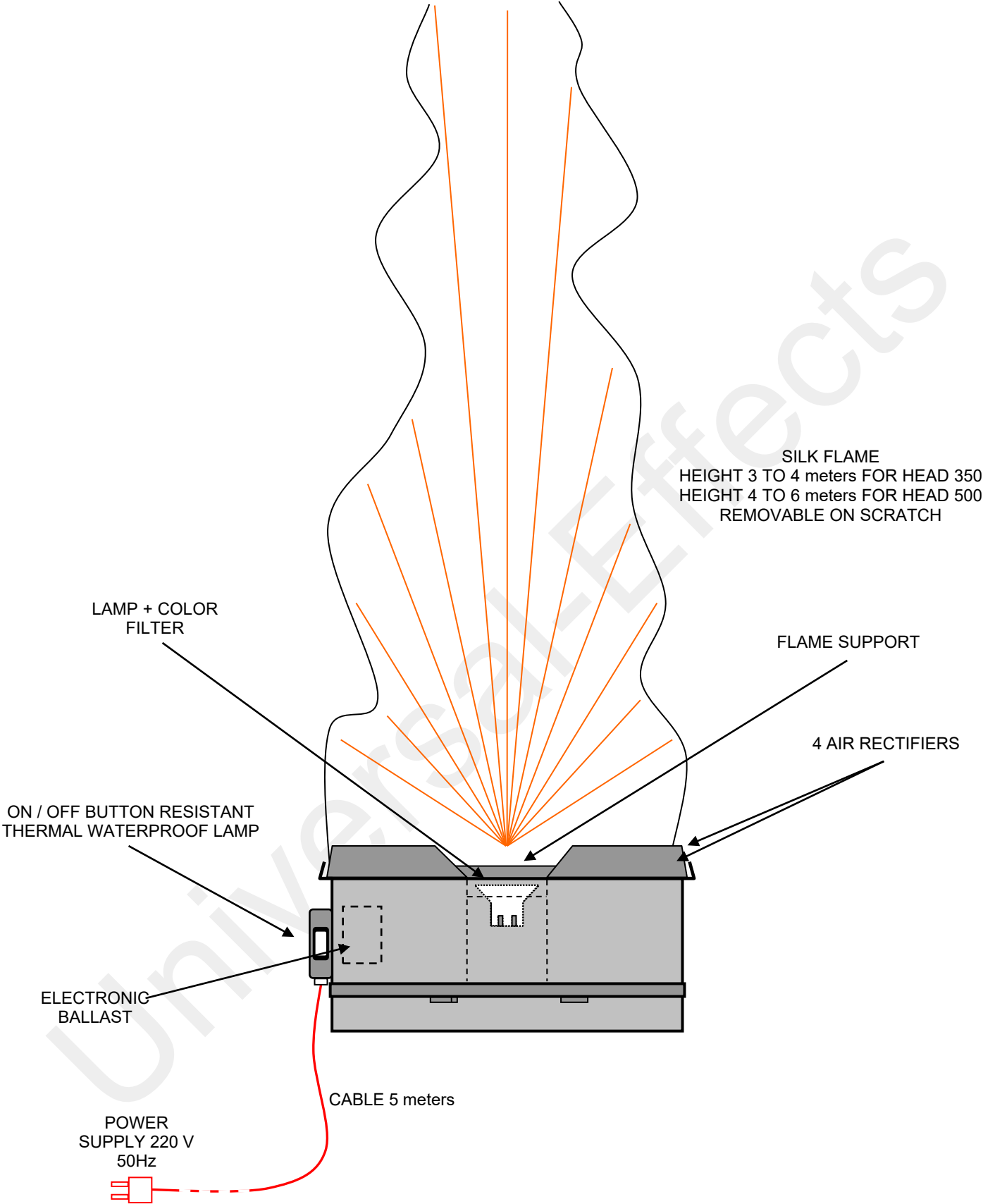


SCREWS AND HARDWARE IN STAINLESS – ALUMINIUM BODY – VERY POWERFUL

COMBINATIONS WITH UE ST- BASE 350 & 500



TECHNICAL DIAGRAM – UE HEAD AIRFLAME LIGHT



- VERY POWERFUL LAMP (METALLIC IODIDE)
- REMOVABLE DICHROIC GLASS ORANGE FILTER

VISSERIE & QUINCAILLERIE EN INOX – CORPS EN ALUMINIUM