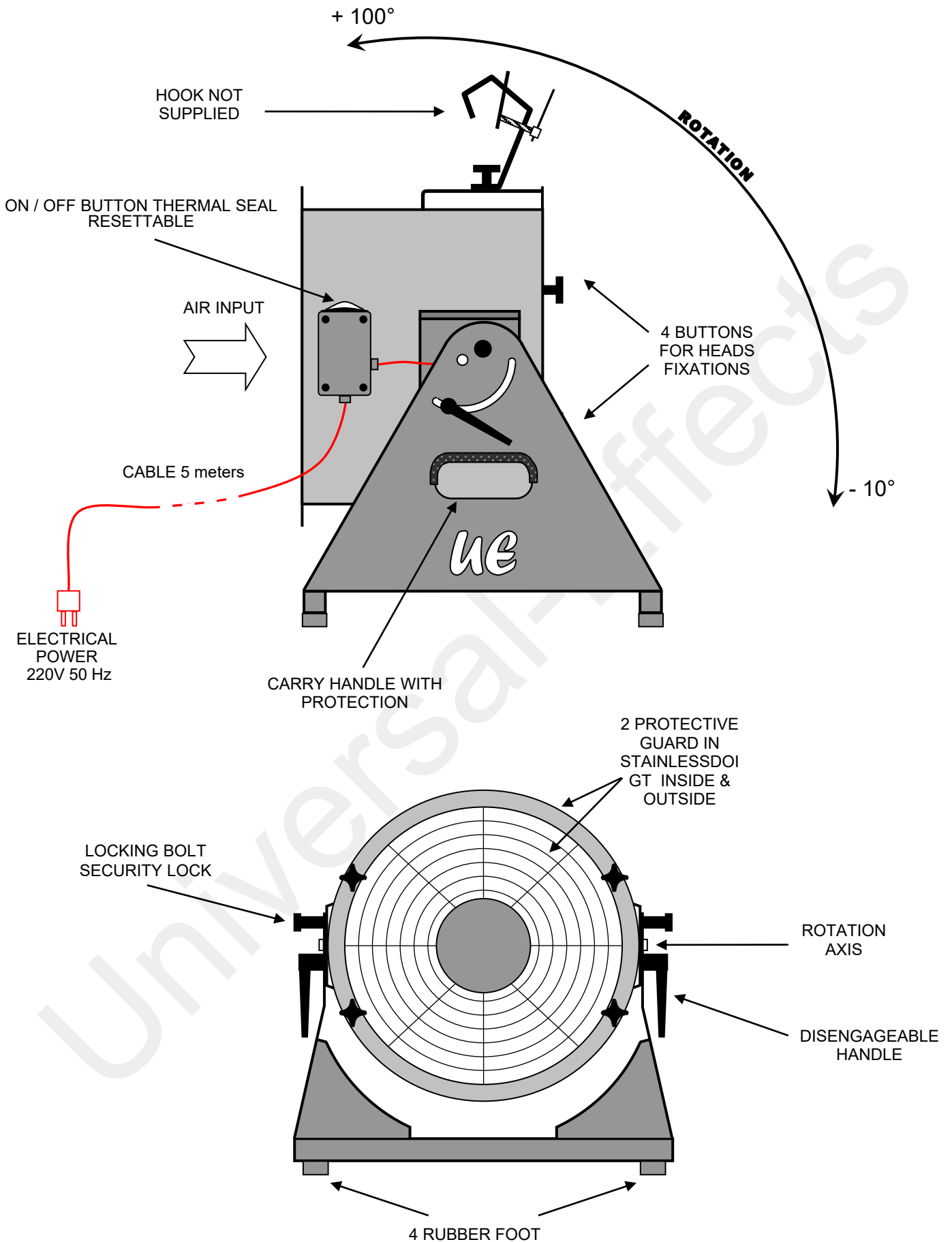
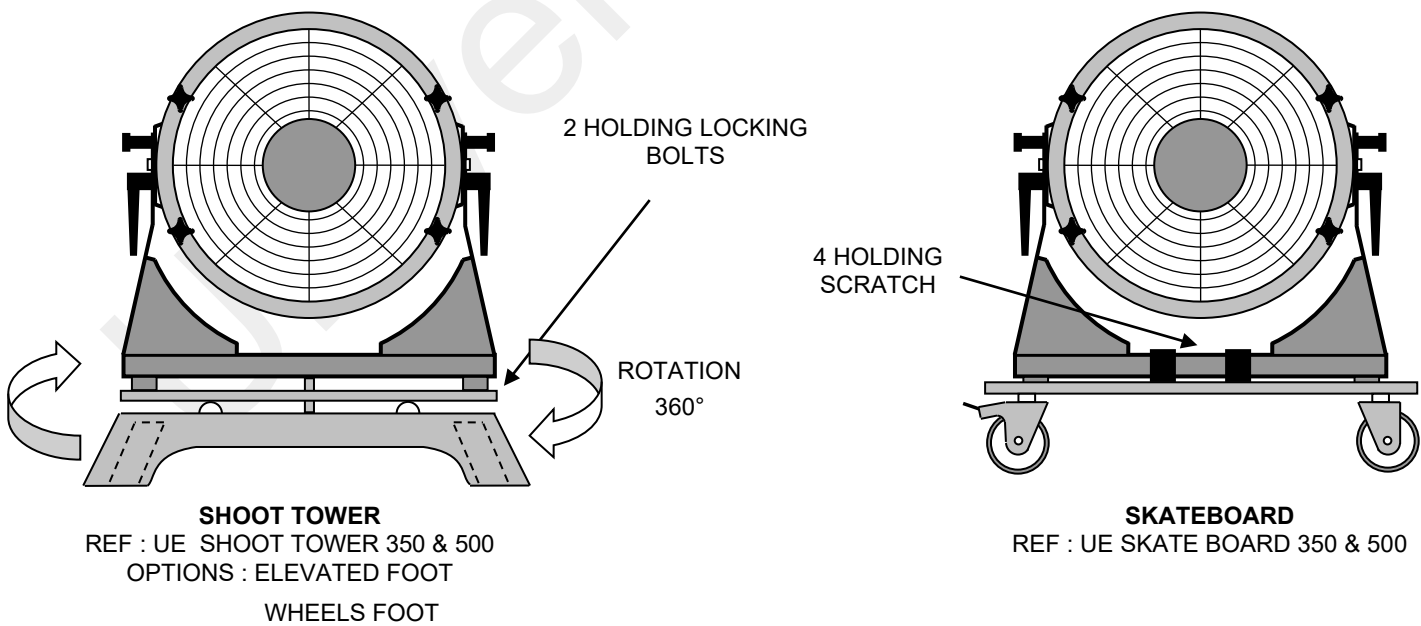
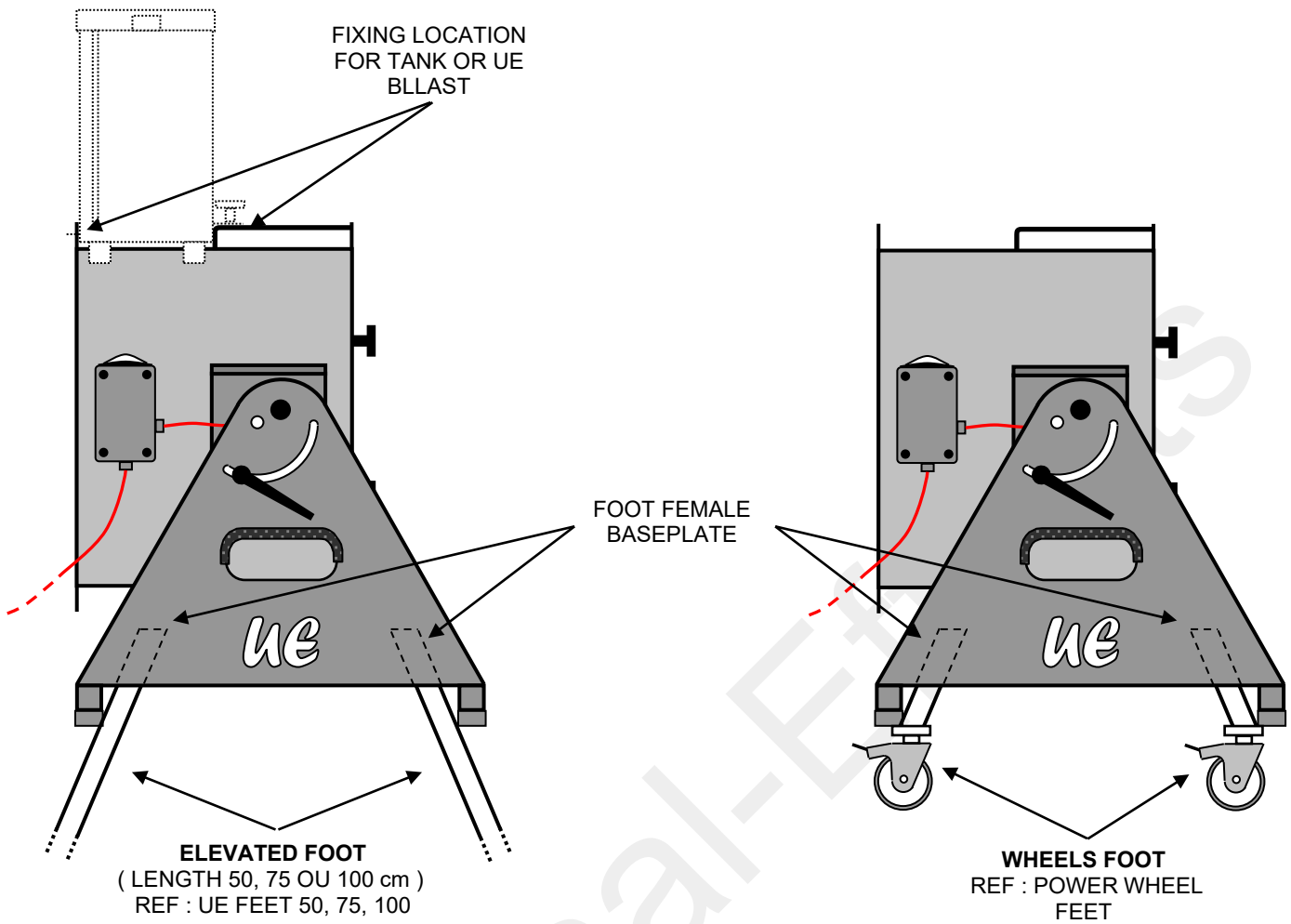


TECHNICAL DIAGRAM – UE ST- BASE 350 & 500



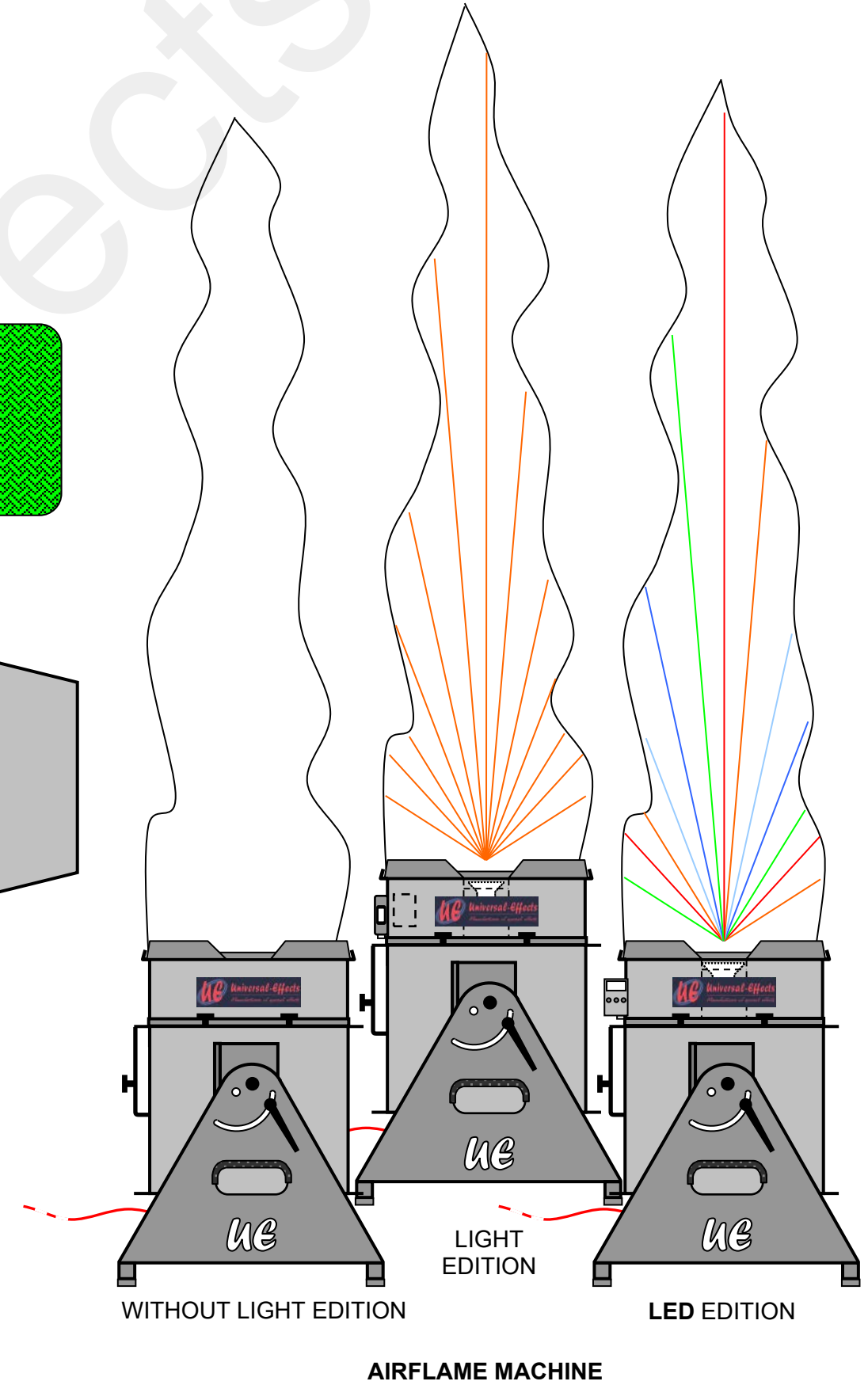
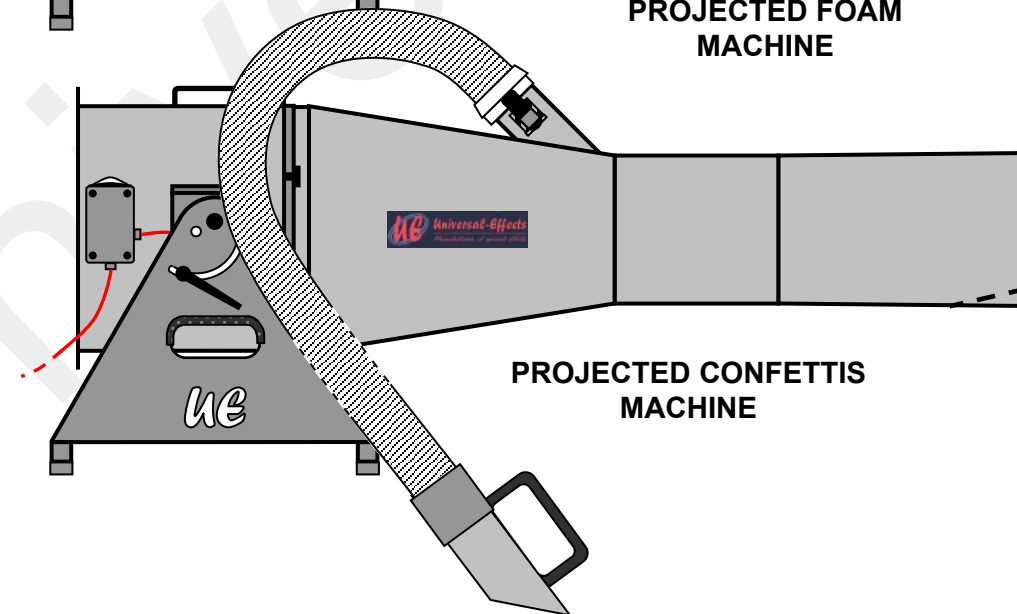
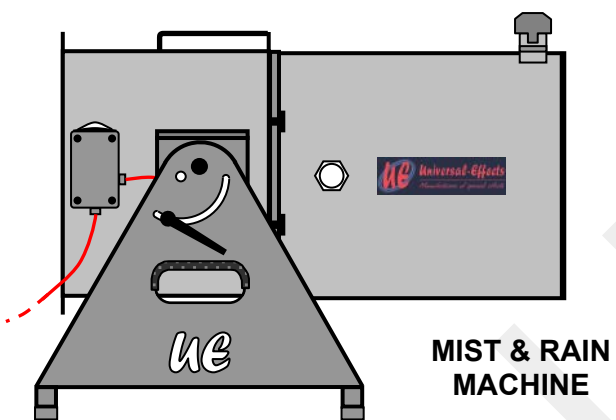
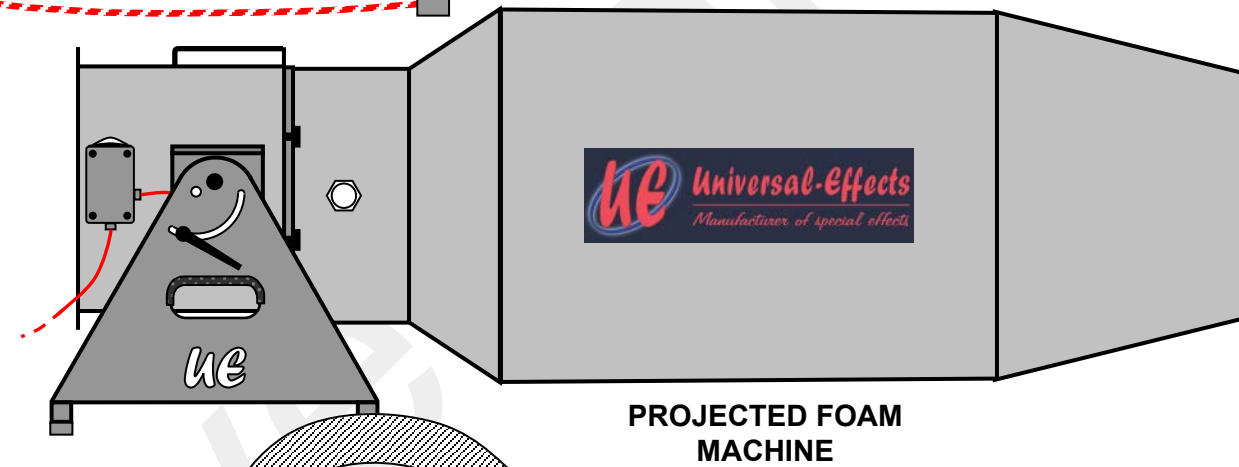
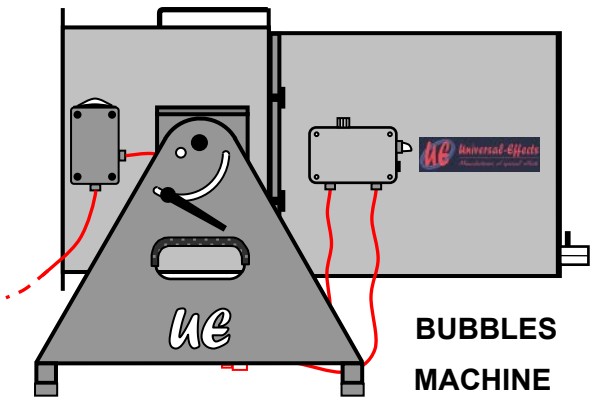
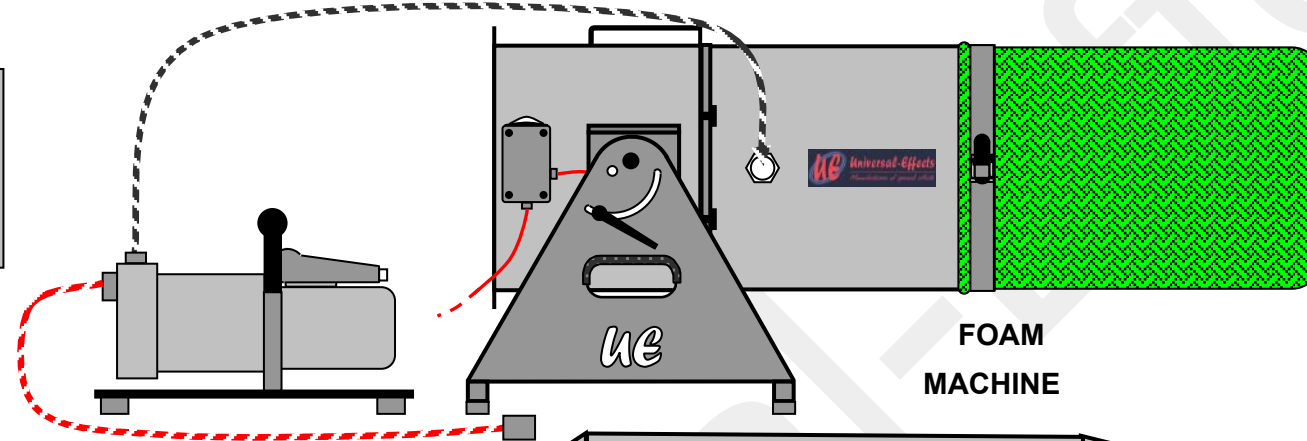
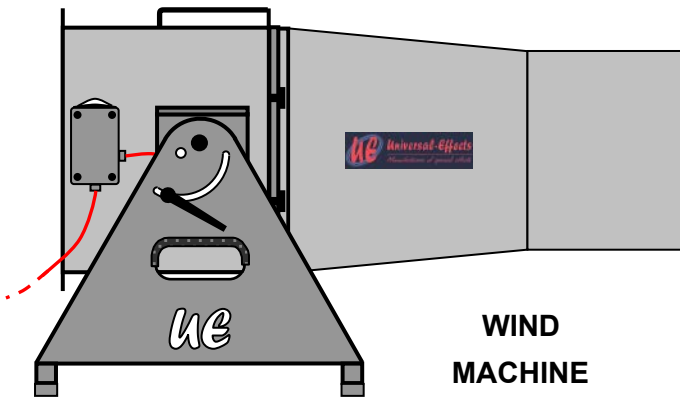
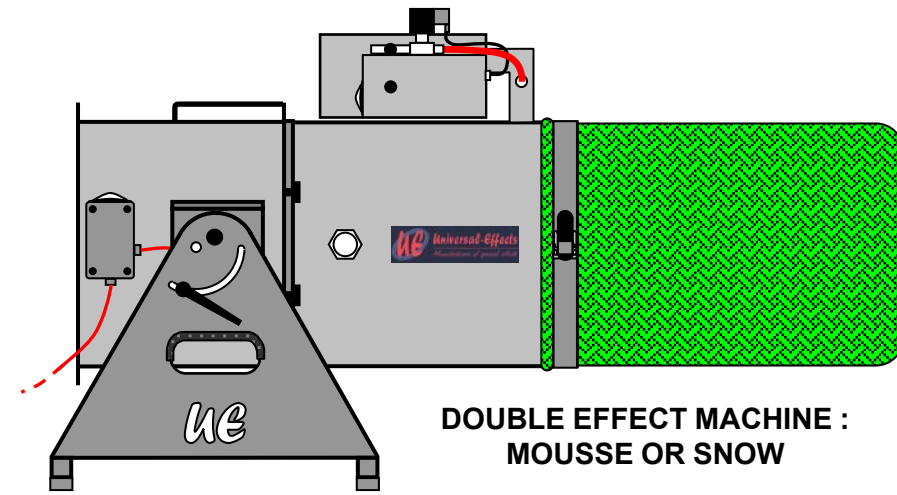
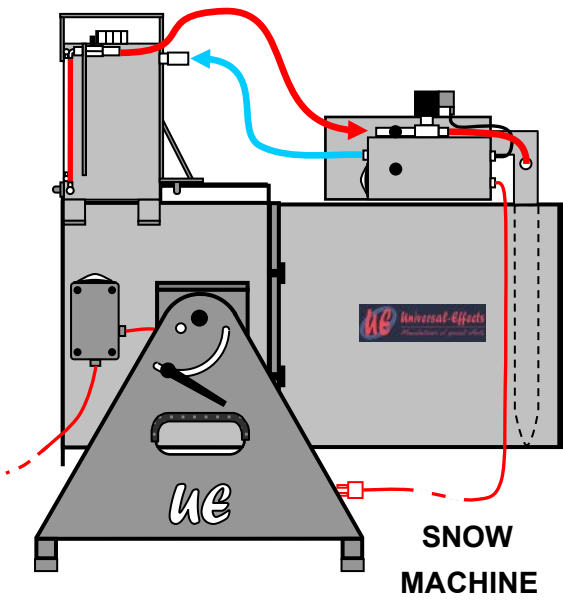
SCREWS AND HARDWARE IN STAINLESS – ALUMINIUM BODY – VERY POWERFUL

TECHNICAL DIAGRAM – UE ST- BASE 350 & 500 WITH 4 POSSIBLES OPTIONS

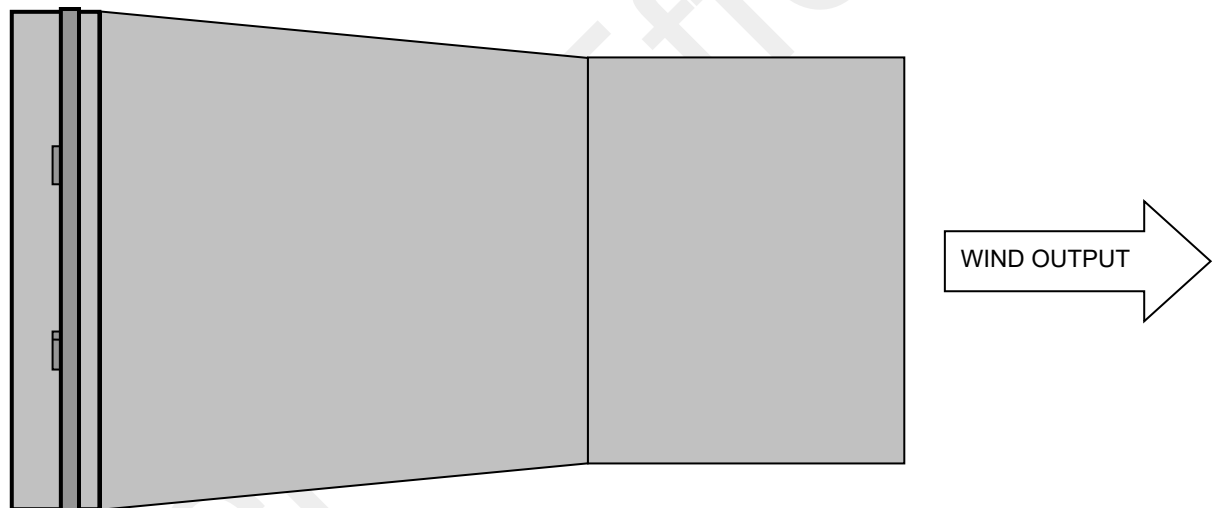


SCREWS AND HARDWARE IN STAINLESS – ALUMINIUM BODY – VERY POWERFUL

COMBINATIONS WITH UE ST- BASE 350 & 500



TECHNICAL DIAGRAM– UE HEAD WIND



- GUIDED AND ACCELERATED WIND
- ALLOWS AN IMPORTANT PRECISION AND SCOPE
- ALUMINIUM BODY