



# TECHNICAL DATASHEET

## UE ST- Base 350 DMX

Item Code : PFPFBA001112

The UE ST-Base 350 is very powerful and equipped with our traditional professional base that allow using on the ground, elevated foot, shoot tower or hang under a structure. It is also suitable for service companies and for fixed installations designed to operate inside and outside. The speed variation is electronically manageable locally or DMX. The base is equipped with professional connectors and a resettable fuse.

### NOMENCLATURE :

- 1 x UE ST- Base 350 DMX
- 5 x Tightening buttons for heads
- 1 x PowerCon cable 5m



### TECHNICAL SPECIFICATIONS :

Size: 40 x 63 x 57 cm

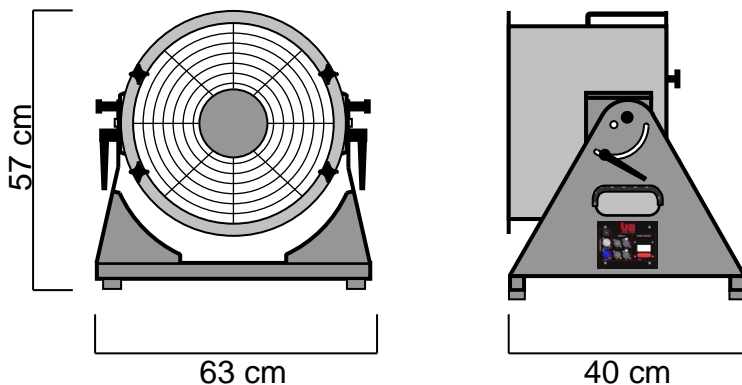
Weight : 20.2 Kg

Electric Characteristics :  
230V – 50/60Hz – 550W – 3.8A – IP 55

Comply with norm CE ERP 2015

### CHARACTERISTICS :

Sound 84 dB / 3m inside  
Sound 74 dB / 3m outside.  
Standard base ground.  
Adjustment 110° vertical.  
Can be hung under structure.  
Electronic speed variation integrated in the base.  
Include an electronic control with timer and DMX.



### HEADS USABLE :

- |                       |                         |
|-----------------------|-------------------------|
| UE Head Foam 350      | UE Head Jet-Foam 350    |
| UE Head Snow 350      | UE Head Mist&Rain 350   |
| UE Head Twin 350      | UE Head Wind 350        |
| UE Head Fragances 350 | UE Head Jet-Bubbles 350 |
| UE Head AirFlame 350  | UE Head Projection 350  |

### OPTIONAL ACCESSORIES:

- UE Skate Board 350
- UE Feet 50, 70, 100 (x 4)
- UE Shoot Tower 350

Manufactured in ALUMINIUM and STAINLESS, UE ST- Base 350 DMX is done for last. Each element was chosen for his quality and efficiency.

**Universal Effects, La qualité et l'innovation Fabriqué en France**

Universal Effects est une Marque fabriquée et distribuée par la société Premium Factory SAS  
1 Route Neuve, 71710 MONTCENIS - FRANCE | Email [info@premiumfactory.eu](mailto:info@premiumfactory.eu) | [www.premiumfactory.eu](http://www.premiumfactory.eu)  
Société Anonyme Simplifié au capital de 1 000 € | Siret 840 703 797 00018 | VAT Nr: FR47840703797



# TECHNICAL DATASHEET

## UE Head AirFlame 350

Item Code : PFPFAF002122

The EU Head AirFlame allows you to create a decorative and powerful visual effect for the event.  
This version without lighting system is perfectly designed for daytime use with great simplicity.  
The concept we have developed gives you the choice to use this head for 4 different effects: Flames of Silk, Windsock, Characters and Inflatable Forms such as cones.  
This head comes with 2 accessories included, a silk flame holder and a strapping for the inflatables.

### NOMENCLATURE :

- 1 x UE Head AirFlame 350
- 1 x Flame Holder
- 1 x Silk Flame 3m
- 1 x Strapping for Inflatables

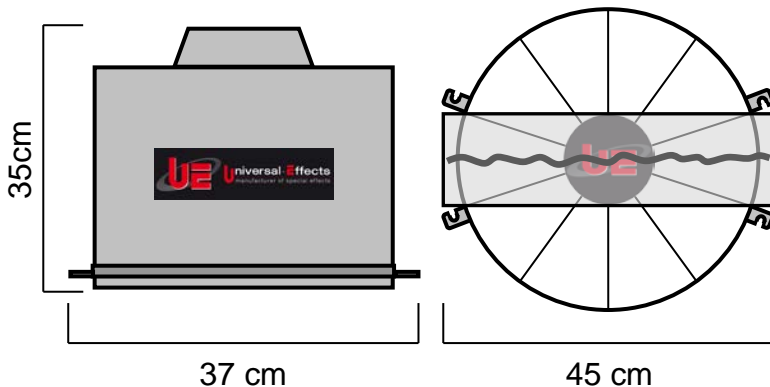


### TECHNICAL SPECIFICATIONS :

Size : 35 x 45 x 37 cm  
Weight : 6.2 Kg

### FEATURES :

Removable flame holder.  
Delivered with a strapping for hanging Design Inflatable, Airships and Characters.  
Possibilities of flame heights: from 2 to 4m.  
Possibility of fixtube heights from 3 to 6m.  
Possibilities of height of figure of 3m.



### BASES USABLE :

- UE K- Base 350
- UE ST- Base 350
- UE XT- Base 350

### CONSUMABLES :

- Silk Flame
- Designs
- Figures
- Fly Tube

Made of ALUMINUM and INOX, the Head AirFlame 350 is built to last. Each element has been chosen for its quality and efficiency.

**Universal Effects, La qualité et l'innovation Fabriqué en France**

Universal Effects est une Marque fabriquée et distribuée par la société Premium Factory SAS  
1 Route Neuve, 71710 MONTCENIS - FRANCE | Email [info@premiumfactory.eu](mailto:info@premiumfactory.eu) | [www.premiumfactory.eu](http://www.premiumfactory.eu)  
Société Anonyme Simplifiée au capital de 1 000 € | Siret 840 703 797 00018 | VAT Nr: FR47840703797