



# TECHNICAL DATASHEET

## UE ST- Base 350 DMX

Item Code : PFPFBA001112

The UE ST-Base 350 is very powerful and equipped with our traditional professional base that allow using on the ground, elevated foot, shoot tower or hang under a structure. It is also suitable for service companies and for fixed installations designed to operate inside and outside. The speed variation is electronically manageable locally or DMX. The base is equipped with professional connectors and a resettable fuse.

### NOMENCLATURE :

- 1 x UE ST- Base 350 DMX
- 5 x Tightening buttons for heads
- 1 x PowerCon cable 5m



### TECHNICAL SPECIFICATIONS :

Size: 40 x 63 x 57 cm

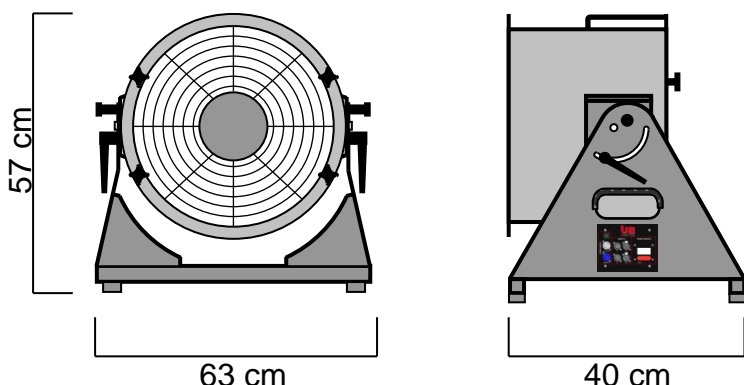
Weight : 20.2 Kg

Electric Characteristics :  
230V – 50/60Hz – 550W – 3.8A – IP 55

Comply with norm CE ERP 2015

### CHARACTERISTICS :

Sound 84 dB / 3m inside  
Sound 74 dB / 3m outside.  
Standard base ground.  
Adjustment 110° vertical.  
Can be hung under structure.  
Electronic speed variation integrated in the base.  
Include an electronic control with timer and DMX.



### HEADS USABLE :

- |                       |                         |
|-----------------------|-------------------------|
| UE Head Foam 350      | UE Head Jet-Foam 350    |
| UE Head Snow 350      | UE Head Mist&Rain 350   |
| UE Head Twin 350      | UE Head Wind 350        |
| UE Head Fragances 350 | UE Head Jet-Bubbles 350 |
| UE Head AirFlame 350  | UE Head Projection 350  |

### OPTIONAL ACCESSORIES:

- UE Skate Board 350
- UE Feet 50, 70, 100 (x 4)
- UE Shoot Tower 350

Manufactured in ALUMINIUM and STAINLESS, UE ST- Base 350 DMX is done for last. Each element was chosen for his quality and efficiency.

**Universal Effects, La qualité et l'innovation Fabriqué en France**

Universal Effects est une Marque fabriquée et distribuée par la société Premium Factory SAS  
1 Route Neuve, 71710 MONTCENIS - FRANCE | Email info@premiumfactory.eu | www.premiumfactory.eu  
Société Anonyme Simplifié au capital de 1 000 € | Siret 840 703 797 00018 | VAT Nr: FR47840703797



# TECHNICAL DATASHEET

## UE Head Foam 350 Solo

Item Code : PFPFME001462

The EU Head Foam is particularly impressive for the importance of its flow.  
Efficient and easy to implement, this foam machine will seduce you to create sets or make giant animations.  
The foam produced is very ventilated which allows to breathe without problem even in case of immersion.

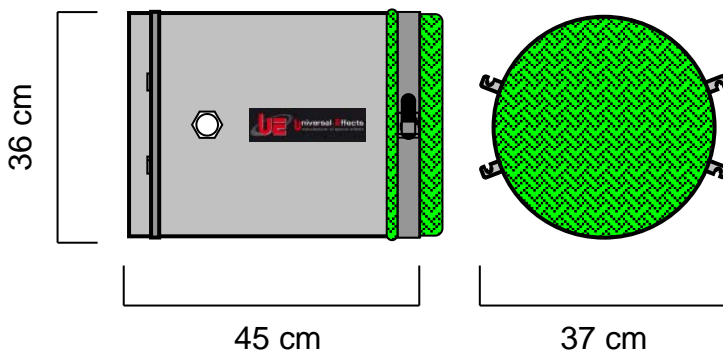
### NOMENCLATURE :

- 1 x UE Head Foam 350
- 1 x Foam net 350
- 1 x strapping 350



### TECHNICAL SPECIFICATIONS :

Size : 45 x 37 x 36 cm  
Weight : 5.4 Kg



### NECESSARY ACCESSORIES :

Pump 350:            Size : 42 x 23 x 37 cm  
                              Weight : 14,6 Kg  
                              Electrical Specifications :  
                                     230V – 50Hz – 800W – 3,7A – IP 44

Hose kit :    Hoses Length : 5 m et 7 m  
                              Hoses Weight : 5,6 kg

### BASES USABLE :

- UE K- Base 350
- UE ST- Base 350

### CONSUMPTION AND PRODUCTION :

- On UE K- Base 350 production of 50 m<sup>3</sup> / min of foam.
- On UE ST- Base 350 production of 70 m<sup>3</sup> / min of foam.
- Liquid consumption with CC foam: 1.2 L / min
- Consumption in water + fluid preparation: 60 L / mn

### CONSUMABLE :

- XT- Foam Fluid CC Diluted à 98% in water.
- XT- Foam Fluid HC Diluted à 99.5% in water.
- XT- Foam Fluid LC Diluted à 97% in water.

**Universal Effects, La qualité et l'innovation Fabriqué en France**

Universal Effects est une Marque fabriquée et distribuée par la société Premium Factory SAS  
1 Route Neuve, 71710 MONTCENIS - FRANCE | Email [info@premiumfactory.eu](mailto:info@premiumfactory.eu) | [www.premiumfactory.eu](http://www.premiumfactory.eu)  
Société Anonyme Simplifié au capital de 1 000 € | Siret 840 703 797 00018 | VAT Nr: FR47840703797