



TECHNICAL DATASHEET

UE ST- Base 350 DMX

Item Code : PFPFBA001112

The UE ST-Base 350 is very powerful and equipped with our traditional professional base that allow using on the ground, elevated foot, shoot tower or hang under a structure. It is also suitable for service companies and for fixed installations designed to operate inside and outside. The speed variation is electronically manageable locally or DMX. The base is equipped with professional connectors and a resettable fuse.

NOMENCLATURE :

- 1 x UE ST- Base 350 DMX
- 5 x Tightening buttons for heads
- 1 x PowerCon cable 5m



TECHNICAL SPECIFICATIONS :

Size: 40 x 63 x 57 cm

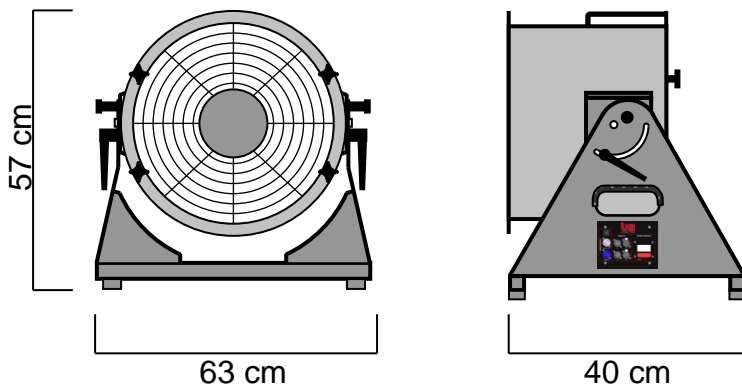
Weight : 20.2 Kg

Electric Characteristics :
230V – 50/60Hz – 550W – 3.8A – IP 55

Comply with norm CE ERP 2015

CHARACTERISTICS :

Sound 84 dB / 3m inside
Sound 74 dB / 3m outside.
Standard base ground.
Adjustment 110° vertical.
Can be hung under structure.
Electronic speed variation integrated in the base.
Include an electronic control with timer and DMX.



HEADS USABLE :

- | | |
|-----------------------|-------------------------|
| UE Head Foam 350 | UE Head Jet-Foam 350 |
| UE Head Snow 350 | UE Head Mist&Rain 350 |
| UE Head Twin 350 | UE Head Wind 350 |
| UE Head Fragances 350 | UE Head Jet-Bubbles 350 |
| UE Head AirFlame 350 | UE Head Projection 350 |

OPTIONAL ACCESSORIES:

- UE Skate Board 350
- UE Feet 50, 70, 100 (x 4)
- UE Shoot Tower 350

Manufactured in ALUMINIUM and STAINLESS, UE ST- Base 350 DMX is done for last. Each element was chosen for his quality and efficiency.

Universal Effects, La qualité et l'innovation Fabriqué en France

Universal Effects est une Marque fabriquée et distribuée par la société Premium Factory SAS
1 Route Neuve, 71710 MONTCENIS - FRANCE | Email info@premiumfactory.eu | www.premiumfactory.eu
Société Anonyme Simplifié au capital de 1 000 € | Siret 840 703 797 00018 | VAT Nr: FR47840703797

UE Head Wind 350

Item Code : PFPFWI001119

The UE Head Wind makes it possible to direct the wind in a concentrated beam.
Used without a head, our bases produce a powerful and wide wind effect.
The head doubles the range of the airflow by reducing the opening of the effect.
It also creates an acceleration phenomenon by increasing the wind speed.
It is advisable to equip yourself with a power variator to precisely control the desired effect.

NOMENCLATURE :

- 1 x UE Head Wind 350



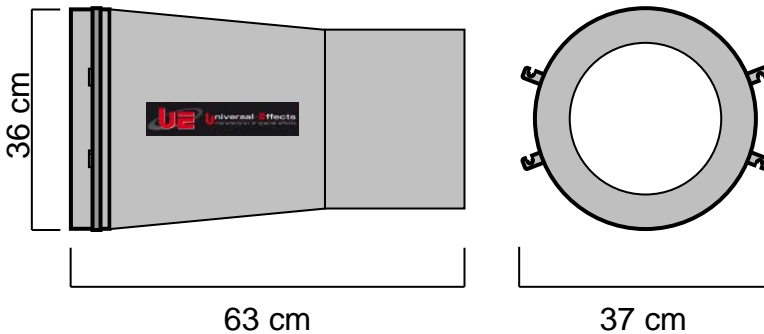
TECHNICAL SPECIFICATIONS :

Size : 63 x 37 x 36 cm

Weight : 3.8 Kg

FEATURES :

Wind directed and accelerated.
Allows precision and significant scope.



BASES USABLE :

- UE K- Base 350
- UE ST- Base 350
- UE XT- Base 350

SPEED AND WIND FLOW :

On UE K-Base 350 the output speed is 50Km / h with a flow rate of 80m³ / min.
On UE ST-Base 350 the output speed is 71Km / h with a flow rate of 144m³ / min.
On EU XT-Base 350 the output speed is 64Km / h with a flow rate of 51 m³ / min.

Made of ALUMINUM, the Head Wind 350 is built to last. Each element has been chosen for its quality and efficiency.

Universal Effects, La qualité et l'innovation Fabriqué en France