



TECHNICAL DATASHEET

UE ST- Base 500 DMX

Item Code : PFPFBA001212

The UE ST-Base 350 is very powerful and equipped with our traditional professional base that allow using on the ground, elevated foot, shoot tower or hang under a structure. It is also suitable for service companies and for fixed installations designed to operate inside and outside. The speed variation is electronically manageable locally or DMX. The base is equipped with professional connectors and a resettable fuse.

NOMENCLATURE :

- 1 x UE ST- Base 500 DMX
- 5 x Tightening buttons for heads
- 1 x PowerCon cable 5m



TECHNICAL SPECIFICATIONS :

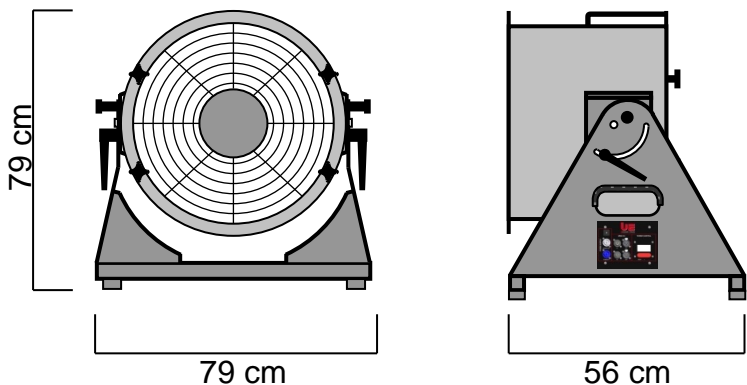
Size : Lg 56 x lg 79 x Hg 79 cm - Weight : 38 Kg

Electrical Characteristics :
230V – 50/60Hz – 1500W – 6.5A – IP 55

Comply with norm CE ERP 2015

CHARACTERISTICS :

- Sound 91 dB / 3m en inside.
- Sound 81 dB / 3m en outside.
- Standard base ground.
- Adjustment sur 110° vertical.
- Can be hung under structure.
- Electronic speed variation integrated in the base
- Include an electronic control with timer and DMX.



USABLE HEADS

- | | |
|-----------------------|-------------------------|
| UE Head Foam 500 | UE Head Jet-Foam 500 |
| UE Head Snow 500 | UE Head Mist&Rain 500 |
| UE Head Twin 500 | UE Head Wind 500 |
| UE Head Fragances 500 | UE Head Jet-Bubbles 500 |
| UE Head AirFlame 500 | UE Head Projection 500 |

OPTIONAL ACCESSORIES :

- UE Skate Board 500
- UE Feet 50, 70, 100 (x 4)
- UE Shoot Tower 500

Manufactured in ALUMINIUM and STAINLESS? UE ST-Base 350 DMX is done for last. Each element was chosen for his quality and efficiency.

Universal Effects, La qualité et l'innovation Fabriqué en France

Universal Effects est une Marque fabriquée et distribuée par la société Premium Factory SAS
1 Route Neuve, 71710 MONTCENIS - FRANCE | Email info@premiumfactory.eu | www.premiumfactory.eu
Société Anonyme Simplifié au capital de 1 000 € | Siret 840 703 797 00018 | VAT Nr: FR47840703797



TECHNICAL DATASHEET

UE Head Foam 500 Solo

Item Code : PFPFME001463

The EU Head Foam is particularly impressive for the importance of its flow.
This machine is one of the most popular used during a very large foam party.
Efficient and easy to implement, this foam machine will seduce you to create sets or make giant animations.
The foam produced is very ventilated which allows to breathe without problem even in case of immersion.

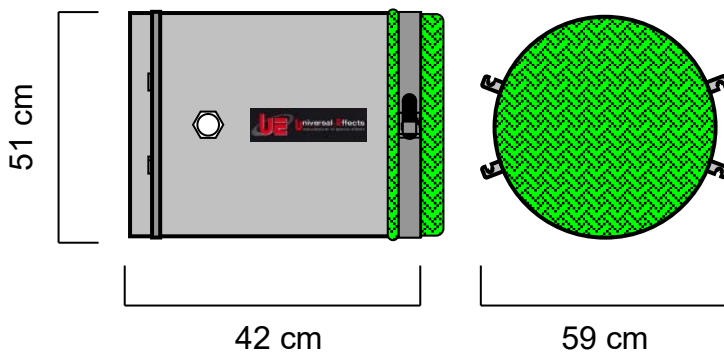
NOMENCLATURE :

- 1 x UE Head Foam 500
- 1 x Foam net 500
- 1 x Strapping 500



TECHNICAL SPECIFICATIONS :

Size : 42 x 59 x 51 cm
Weight : 6.6 Kg



ACCESSORIES NEEDED :

- Pump 500: Size : 47 x 34 x 39 cm
 Weight : 17,4 Kg
 Electrical Specifications :
 230V – 50Hz – 1300W – 6,1A – IP 44
- Hose Kit : Hoses Lenght : 5 m et 7 m
 Hoses Weight : 5,6 kg

BASE USABLE :

- UE ST- Base 500

CONSUMPTION AND PRODUCTION :

- On UE ST- Base 500 production of 180 m³ / min of foam.
- Liquid consumption with CC foam: 2,4 L / mn
- Consumption in fluid water preparation: 120 L / mn

CONSUMABLES :

- XT- Foam Fluid CC Diluted à 98% in water.
- XT- Foam Fluid HC Diluted à 99.5% in water.
- XT- Foam Fluid LC Diluted à 97% in water.

Universal Effects, La qualité et l'innovation Fabriqué en France

Universal Effects est une Marque fabriquée et distribuée par la société Premium Factory SAS
1 Route Neuve, 71710 MONTCENIS - FRANCE | Email info@premiumfactory.eu | www.premiumfactory.eu
Société Anonyme Simplifié au capital de 1 000 € | Siret 840 703 797 00018 | VAT Nr: FR47840703797