

## UE ST- Base 500 DMX

Item Code : PFPFBA001212

The UE ST-Base 350 is very powerful and equipped with our traditional professional base that allow using on the ground, elevated foot, shoot tower or hang under a structure. It is also suitable for service companies and for fixed installations designed to operate inside and outside. The speed variation is electronically manageable locally or DMX. The base is equipped with professional connectors and a resettable fuse.

### NOMENCLATURE :

- 1 x UE ST- Base 500 DMX
- 5 x Tightening buttons for heads
- 1 x PowerCon cable 5m



### TECHNICAL SPECIFICATIONS :

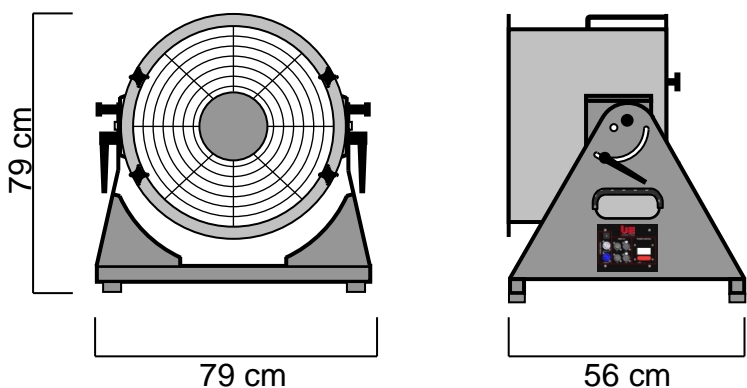
Size : Lg 56 x lg 79 x Hg 79 cm - Weight : 38 Kg

Electrical Characteristics :  
230V – 50/60Hz – 1500W – 6.5A – IP 55

Comply with norm CE ERP 2015

### CHARACTERISTICS :

- Sound 91 dB / 3m en inside.
- Sound 81 dB / 3m en outside.
- Standard base ground.
- Adjustment sur 110° vertical.
- Can be hung under structure.
- Electronic speed variation integrated in the base
- Include an electronic control with timer and DMX.



### USABLE HEADS

- |                       |                         |
|-----------------------|-------------------------|
| UE Head Foam 500      | UE Head Jet-Foam 500    |
| UE Head Snow 500      | UE Head Mist&Rain 500   |
| UE Head Twin 500      | UE Head Wind 500        |
| UE Head Fragances 500 | UE Head Jet-Bubbles 500 |
| UE Head AirFlame 500  | UE Head Projection 500  |

### OPTIONAL ACCESSORIES :

- UE Skate Board 500
- UE Feet 50, 70, 100 (x 4)
- UE Shoot Tower 500

Manufactured in ALUMINIUM and STAINLESS? UE ST-Base 350 DMX is done for last. Each element was chosen for his quality and efficiency.

**Universal Effects, La qualité et l'innovation Fabriqué en France**



# TECHNICAL DATASHEET

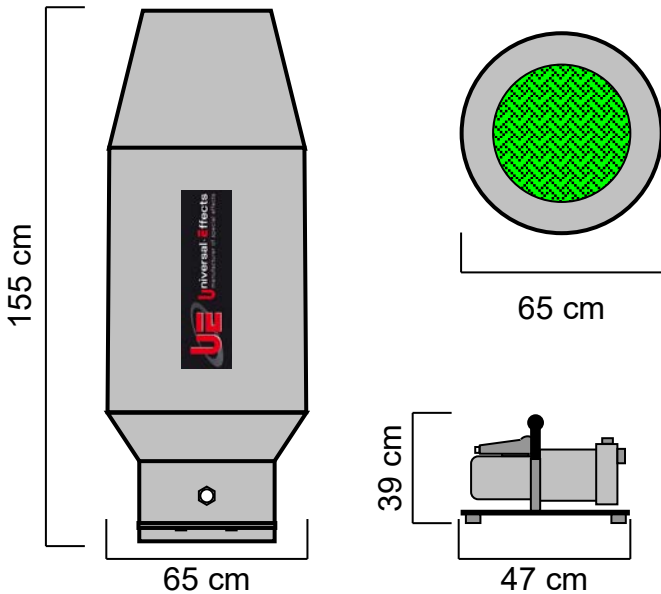
## UE Head Jet-Foam 500

Item Code : PFPFJF001211

The UE Head Jet-Foam is powerful, reliable and produces quality foam.  
The foam is produced inside the head and is projected continuously.  
By mounting the machine on one of our turrets, you can water the track, the stage or the pool very easily by a very playful sweep.  
Built in aluminum, this head is light despite its size.  
Delivered complete with its pump on support and all necessary hoses.

### NOMENCLATURE :

- 1 x UE Head Jet-Foam 500
- 1 x Pump 500
- 1 x Hose Kit



### TECHNICAL SPECIFICATIONS :

Size : 155 x 65 x 65 cm  
Weight : 38 Kg

### NECESSARY ACCESSORIES:

Pump 500:            Size : 47 x 34 x 39 cm  
                              Weight : 17,4 Kg  
                              Electrical Specifications :  
                              230V – 50Hz – 1300W – 6,1A – IP 44

Hose Kit:    Length : 5 m and 7 m  
                              Weight : 5,6 kg

### BASE USABLE :

- UE ST- Base 500

### OPTIONAL ACCESSORIES:

- UE Ballast 500

### CONSUMPTION AND PRODUCTION:

- On UE ST- Base 500 production of 120 m<sup>3</sup> / min of foam.
- Projection over 10m of a foam storm.
- Liquid consumption with CC foam: 2,4 L / mn
- Consumption in water + fluid preparation: 120 L / mn

### CONSUMABLES :

- XT- Foam Fluid CC Diluted at 98% in water.
- XT- Foam Fluid HC Diluted at 99.5% in water.
- XT- Foam Fluid LC Diluted at 97% in water.

**Universal Effects, La qualité et l'innovation Fabriqué en France**

Universal Effects est une Marque fabriquée et distribuée par la société Premium Factory SAS  
1 Route Neuve, 71710 MONTCENIS - FRANCE | Email info@premiumfactory.eu | www.premiumfactory.eu  
Société Anonyme Simplifiée au capital de 1 000 € | Siret 840 703 797 00018 | VAT Nr: FR47840703797