

UE ST- Base 500 DMX

Item Code : PFPFBA001212

The UE ST-Base 350 is very powerful and equipped with our traditional professional base that allow using on the ground, elevated foot, shoot tower or hang under a structure. It is also suitable for service companies and for fixed installations designed to operate inside and outside. The speed variation is electronically manageable locally or DMX. The base is equipped with professional connectors and a resettable fuse.

NOMENCLATURE :

- 1 x UE ST- Base 500 DMX
- 5 x Tightening buttons for heads
- 1 x PowerCon cable 5m



TECHNICAL SPECIFICATIONS :

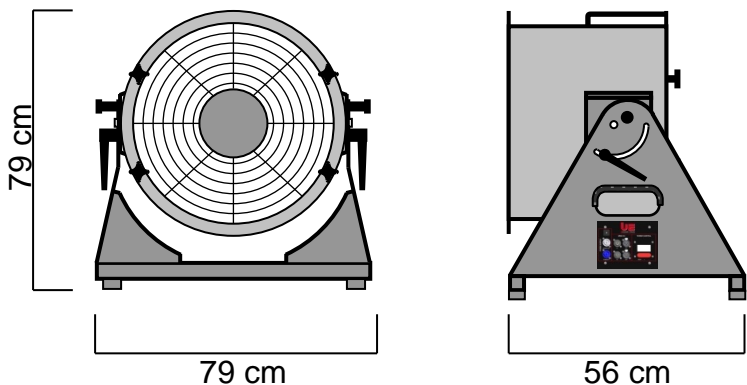
Size : Lg 56 x lg 79 x Hg 79 cm - Weight : 38 Kg

Electrical Characteristics :
230V – 50/60Hz – 1500W – 6.5A – IP 55

Comply with norm CE ERP 2015

CHARACTERISTICS :

- Sound 91 dB / 3m en inside.
- Sound 81 dB / 3m en outside.
- Standard base ground.
- Adjustment sur 110° vertical.
- Can be hung under structure.
- Electronic speed variation integrated in the base
- Include an electronic control with timer and DMX.



USABLE HEADS

- | | |
|-----------------------|-------------------------|
| UE Head Foam 500 | UE Head Jet-Foam 500 |
| UE Head Snow 500 | UE Head Mist&Rain 500 |
| UE Head Twin 500 | UE Head Wind 500 |
| UE Head Fragances 500 | UE Head Jet-Bubbles 500 |
| UE Head AirFlame 500 | UE Head Projection 500 |

OPTIONAL ACCESSORIES :

- UE Skate Board 500
- UE Feet 50, 70, 100 (x 4)
- UE Shoot Tower 500

Manufactured in ALUMINIUM and STAINLESS? UE ST-Base 350 DMX is done for last. Each element was chosen for his quality and efficiency.

Universal Effects, La qualité et l'innovation Fabriqué en France



TECHNICAL DATASHEET

UE Head Mist & Rain 500 Solo

Item Code : PFPFRA001458

The UE Head Mist and Rain allows you to create your own weather.

To refresh the mood, project water mist mode.

When you need to create a well-watered scene with wind, switch to rain mode.

Effect used in cinema, video production and theme park.



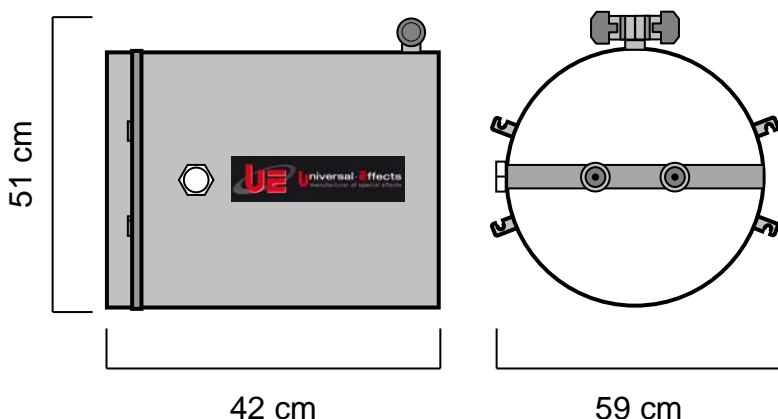
NOMENCLATURE :

- 1 x UE Head Mist & Rain 500

TECHNICAL SPECIFICATIONS:

Size : 59 x 42 x 51 cm

Weight : 10.5 Kg



NECESSARY ACCESSORIES:

Pompe 500: Size : 47 x 23 x 37 cm
 Weight : 17,4 Kg
 Electrical Specifications:
 230V – 50Hz – 1300W – 6,1A

Hose Kit: Hose Lenght : 5 m et 7 m
 Hose Weight : 5,6 kg

BASES USABLE :

- UE ST- Base 500
- UE XT- Base 500

CONSUMPTION :

- On EU ST / XT- Base 500 mist cloud projection at 10m.
- Water consumption with mist nozzle: 6L / mn
- On EU ST / XT- Base 500 rain projection at 10m.
- Water consumption with 2 rain nozzles: 74L / mn

CONSUMABLE :

water (provide storage barrel).

Universal Effects, La qualité et l'innovation Fabriqué en France

Universal Effects est une Marque fabriquée et distribuée par la société Premium Factory SAS
1 Route Neuve, 71710 MONTCENIS - FRANCE | Email info@premiumfactory.eu | www.premiumfactory.eu
Société Anonyme Simplifié au capital de 1 000 € | Siret 840 703 797 00018 | VAT Nr: FR47840703797