

## UE ST- Base 500 STD

Item Code : PFPFBA001222

The UE ST-Base 500 is very powerful and equipped with our traditional professional base that allow using on the ground, elevated foot, shoot tower or hang under a structure. It is also suitable for service companies and for fixed installations designed to operate inside and outside. ST-Power Base 500 STD include speed variation and is equipped with professional connectors and a resettable fuse.

### NOMENCLATURE :

- 1 x UE ST- Base 500 STD
- 5 x Tightenig buttons for heads
- 1 x PowerCon cable 5m



### TECHNICAL SPECIFICATIONS :

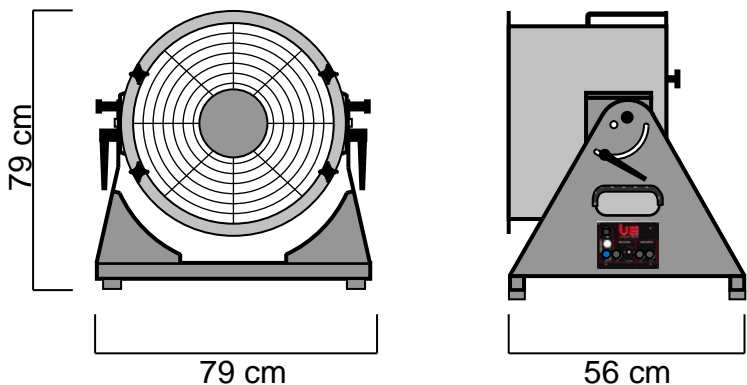
Size : Lg 56 x lg 79 x Hg 79 cm - Weight: 38 Kg

Electrical Characteristics :  
230V – 50/60Hz – 1500W – 6.5A – IP 55

Comply with norm CE ERP 2015

### CHARACTERISTICS :

- Sound 91 dB / 3m inside.
- Sound 81 dB / 3m outside.
- Standard base ground.
- Ajustment on 110° vertical.
- Can be hung under structure.
- Electronic speed variation integrated in the base.
- Base control + Head for manual Switch.



### USABLE HEADS:

- |                       |                         |
|-----------------------|-------------------------|
| UE Head Foam 500      | UE Head Jet-Foam 500    |
| UE Head Snow 500      | UE Head Mist&Rain 500   |
| UE Head Twin 500      | UE Head Wind 500        |
| UE Head Fragances 500 | UE Head Jet-Bubbles 500 |
| UE Head AirFlame 500  | UE Head Projection 500  |

### OPTIONAL ACCESSORIES :

- UE Skate Board 500
- UE Feet 50, 70, 100 (x 4)
- UE Shoot Tower 500

Manufactured in ALUMINIUM and STAINLESS, UE ST-Base 500 STD is done for last. Each element was chosen for his quality and efficiency.

**Universal Effects, La qualité et l'innovation Fabriqué en France**



# TECHNICAL DATASHEET

## UE Head Mist & Rain 500 Solo

Item Code : PFPFRA001458

The UE Head Mist and Rain allows you to create your own weather.

To refresh the mood, project water mist mode.

When you need to create a well-watered scene with wind, switch to rain mode.

Effect used in cinema, video production and theme park.



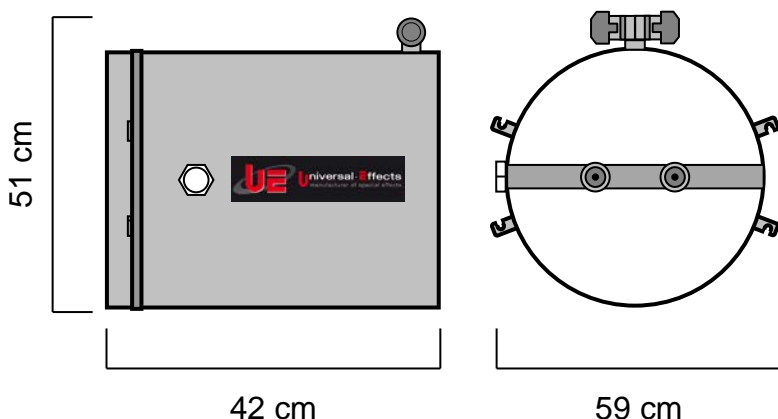
### NOMENCLATURE :

- 1 x UE Head Mist & Rain 500

### TECHNICAL SPECIFICATIONS:

Size : 59 x 42 x 51 cm

Weight : 10.5 Kg



### NECESSARY ACCESSORIES:

Pompe 500:      Size : 47 x 23 x 37 cm  
                          Weight : 17,4 Kg  
                          Electrical Specifications:  
                          230V – 50Hz – 1300W – 6,1A

Hose Kit:      Hose Lenght : 5 m et 7 m  
                          Hose Weight : 5,6 kg

### BASES USABLE :

- UE ST- Base 500  
- UE XT- Base 500

### CONSUMPTION :

- On EU ST / XT- Base 500 mist cloud projection at 10m.  
- Water consumption with mist nozzle: 6L / mn  
- On EU ST / XT- Base 500 rain projection at 10m.  
- Water consumption with 2 rain nozzles: 74L / mn

### CONSUMABLE :

water (provide storage barrel).

**Universal Effects, La qualité et l'innovation Fabriqué en France**

Universal Effects est une Marque fabriquée et distribuée par la société Premium Factory SAS  
1 Route Neuve, 71710 MONTCENIS - FRANCE | Email info@premiumfactory.eu | www.premiumfactory.eu  
Société Anonyme Simplifié au capital de 1 000 € | Siret 840 703 797 00018 | VAT Nr: FR47840703797