



TECHNICAL DATASHEET

UE Base Tube DMX

Item Code : PFPTBA007111

The UE Base Tube DMX is compact, highly efficient and ultra quiet thanks to its high-tech centrifugal fan. It is completely adapted to the uses in Theater, Opera and TV. Local and DMX electronic control of the speed variation and the effects trigger for the DMX version. Equipped with a professional connection and a resettable fuse.

NOMENCLATURE :

- 1 x UE Base Tube DMX
- 1 x Power Cable 2m PowerCon



TECHNICAL SPECIFICATIONS :

Size : 37 x 48 x 52 cm

Weight : 9.2 Kg

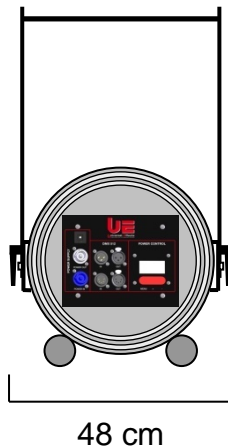
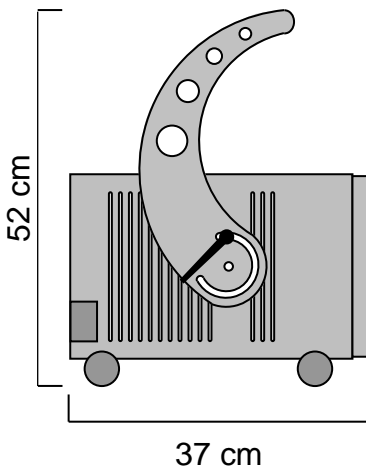
Electrical Specifications :
230V – 50/60Hz – 230W – 1.7A – IP 54

Connexion IN/OUT en fiche PowerCon

FEATURES :

- Noise 65 dB / 3m indoors.
- Noise 60 dB / 3m outdoors.
- Lyre hanging.
- Possibility of posing on the ground and parrot.
- Electronic variation of speed.
- Integrated electronic control with timer and DMX.
- Wind speed 83km / h.

Back view



USABLE HEADS :

- | | |
|------------------------|-------------------------|
| UE Head Foam Tube | UE Head Projection Tube |
| UE Head Snow Tube | UE Head Wind Tube |
| UE Head Bubble Tube | UE Head Striptease Tube |
| UE Head Fragrance Tube | UE Head AirFlame Tube |
| | Light |

OPTIONAL ACCESSORY :

- UE Ground Foot Tube

Made of ALUMINUM and INOX, the UE Base Tube DMX is built to last. Each element has been chosen for its quality and efficiency.

Universal Effects, La qualité et l'innovation Fabriqué en France

Universal Effects est une Marque fabriquée et distribuée par la société Premium Factory SAS
1 Route Neuve, 71710 MONTCENIS - FRANCE | Email info@premiumfactory.eu | www.premiumfactory.eu
Société Anonyme Simplifiée au capital de 1 000 € | Siret 840 703 797 00018 | VAT Nr: FR47840703797



TECHNICAL DATASHEET

UE Head Bubble Tube

Item Code : PFPTJB007016

The UE Head Bubble Tube Machine produces a large amount of usable bubble hanging or layered.
Designed for easy use, low noise and very reliable, it is suitable for animation, concert, theater and TV set.
The size of the very colorful bubbles brings a very spectacular visual presence.

NOMENCLATURE :

- 1 x UE Head Bubble Tube
With connexion Harting



TECHNICAL SPECIFICATIONS :

Size : 35 x 28 x 33 cm

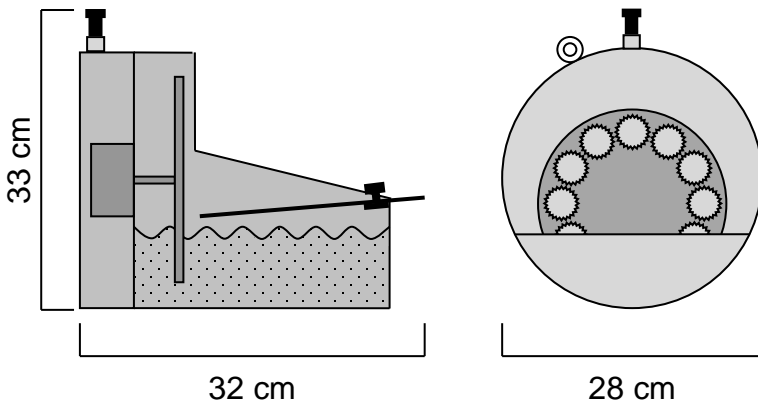
Weight : 2.6 Kg

Electrical Specifications :
230V – 50Hz – 10W – 0.04A – IP 44

FEATURES :

Produces bubbles with a diameter of 1.5 to 3cm.
Projection over a distance of 5 to 7m.

Consumption in XT-Power Bubble Fluid RTU (ready-to-use liquid bubble): 2 L / h.



CONSUMABLES :

XT- Bubble Fluid RTU
XT- Bubble Fluid CC

OPTIONAL ACCESSORIES :

- UE Auto Tank Filler
- UE Box Switch ou Dimmer
- UE Ground Foot

Made of ALUMINUM and INOX, the UE Head Bubble Tube is built to last. Each element has been chosen for its quality and efficiency.

Universal Effects, La qualité et l'innovation Fabriqué en France

Universal Effects est une Marque fabriquée et distribuée par la société Premium Factory SAS
1 Route Neuve, 71710 MONTCENIS - FRANCE | Email info@premiumfactory.eu | www.premiumfactory.eu
Société Anonyme Simplifiée au capital de 1 000 € | Siret 840 703 797 00018 | VAT Nr: FR47840703797