



TECHNICAL DATASHEET

UE Base Tube DMX

Item Code : PFPTBA007111

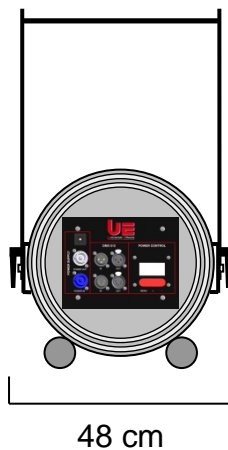
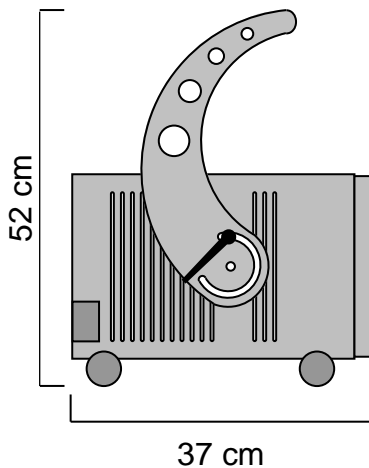
The UE Base Tube DMX is compact, highly efficient and ultra quiet thanks to its high-tech centrifugal fan. It is completely adapted to the uses in Theater, Opera and TV. Local and DMX electronic control of the speed variation and the effects trigger for the DMX version. Equipped with a professional connection and a resettable fuse.

NOMENCLATURE :

- 1 x UE Base Tube DMX
- 1 x Power Cable 2m PowerCon



Back view



TECHNICAL SPECIFICATIONS :

Size : 37 x 48 x 52 cm

Weight : 9.2 Kg

Electrical Specifications :
230V – 50/60Hz – 230W – 1.7A – IP 54

Connexion IN/OUT en fiche PowerCon

FEATURES :

- Noise 65 dB / 3m indoors.
- Noise 60 dB / 3m outdoors.
- Lyre hanging.
- Possibility of posing on the ground and parrot.
- Electronic variation of speed.
- Integrated electronic control with timer and DMX.
- Wind speed 83km / h.

USABLE HEADS :

- UE Head Foam Tube
- UE Head Snow Tube
- UE Head Bubble Tube
- UE Head Fragrance Tube

- UE Head Projection Tube
- UE Head Wind Tube
- UE Head Striptease Tube
- UE Head AirFlame Tube
- Light

OPTIONAL ACCESSORY :

- UE Ground Foot Tube

Made of ALUMINUM and INOX, the UE Base Tube DMX is built to last. Each element has been chosen for its quality and efficiency.

Universal Effects, La qualité et l'innovation Fabriqué en France

Universal Effects est une Marque fabriquée et distribuée par la société Premium Factory SAS
1 Route Neuve, 71710 MONTCENIS - FRANCE | Email info@premiumfactory.eu | www.premiumfactory.eu
Société Anonyme Simplifiée au capital de 1 000 € | Siret 840 703 797 00018 | VAT Nr: FR47840703797



TECHNICAL DATASHEET

UE Head Wind Tube

Item Code : PFPTWI007019

The UE Head Wind Tube works with a centrifugal fan.

Compact and powerful, it is designed for easy use.

Low noise and very reliable, it can be used both posed or suspended and adapts as well in animation, concert, theater or TV set.



NOMENCLATURE :

- 1 x UE Wind Tube

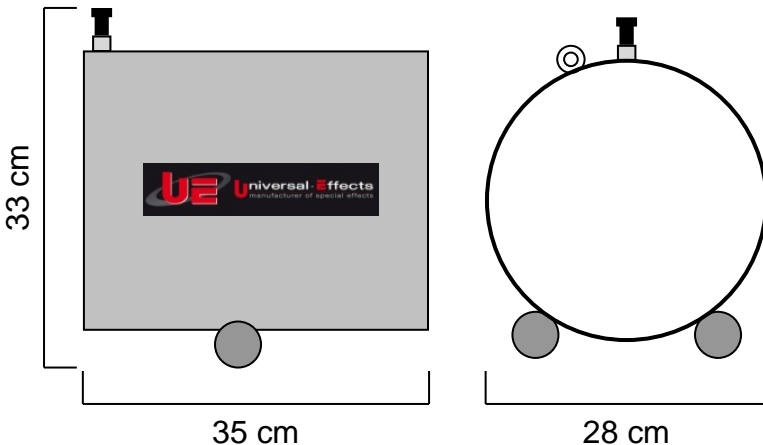
TECHNICAL SPECIFICATIONS :

Size : 35 x 28 x 33 cm

Weight : 2.2 Kg

FEATURES :

Possibility to regulate the effect by varying the air flow with optional electronics.



CONSUMABLES :

None.

OPTIONAL ACCESSORIES :

- UE Box Switch or Dimmer
- 60 km wind speed

Made of ALUMINUM and INOX, the UE Head Wind Tube is built to last. Each element has been chosen for its quality and efficiency.

Universal Effects, La qualité et l'innovation Fabriqué en France

Universal Effects est une Marque fabriquée et distribuée par la société Premium Factory SAS
1 Route Neuve, 71710 MONTCENIS - FRANCE | Email info@premiumfactory.eu | www.premiumfactory.eu
Société Anonyme Simplifiée au capital de 1 000 € | Siret 840 703 797 00018 | VAT Nr: FR47840703797