



The **NOCOMAX EASY**® is a device from the **NOCOTECH**® range developed around a heating and ionizing turbine.

It allows to spread our disinfectants and insecticides in the form of dry mist and thus uniformly reach each cm³ of the room treated.

Treatment of volumes from 500 to 20,000 m³

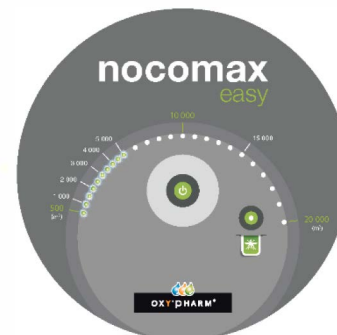
ADVANTAGES

- Easily movable thanks to its wheels
- Robust
- Device suitable for all environments including the food industry

Diffuser nose (venturi x4)

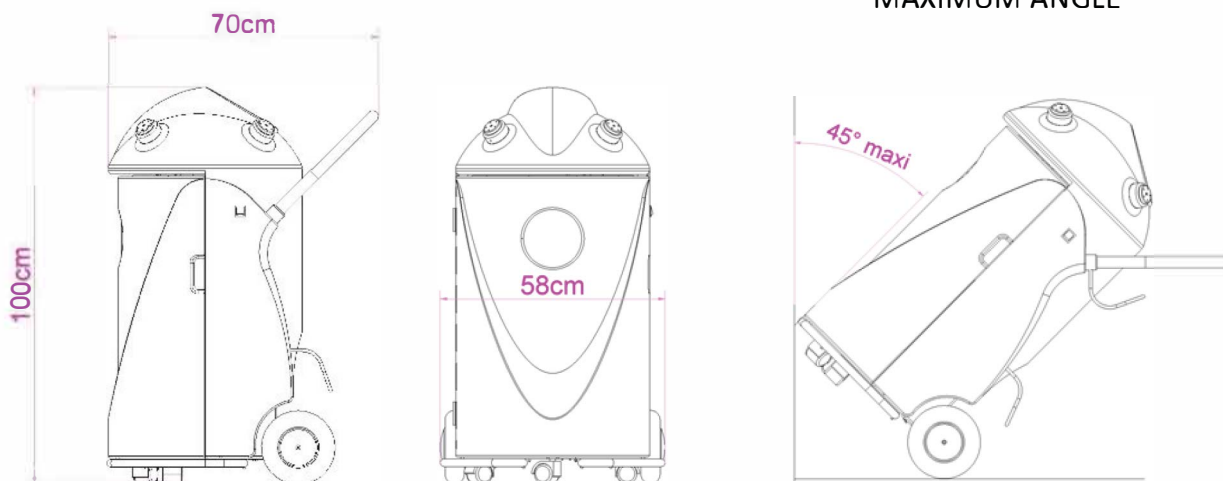


" - Handle



Touchpad

DIMENSIONS



MAXIMUM ANGLE

REFERENCES

Item description	Reference
NOCOMAX EASY - volumes from 500 to 20,000 m ³	PSDMNM
NOCOMAX EASY WITH ADJUSTABLE NOZZLES - volumes from 500 to 20 000 m ³	PSDMNMB

TECHNICAL CHARACTERISTICS

Main Features

Device weight	43,4 kg
Compatible packaging	20 L
Diffusion outputs	4
Rotation speed	22 000 trs/min
Maximum volume to be treated	20 000 m ³
Average liquid flow	6L/h

Terms of use

Temperature	0°C to 50°C
Hygrometry	25% to 75%
Atmospheric pressure	800 to 1060 hectopascals

Electrical Specifications

Voltage	230 V mono +T 2000 W
Power	50 to 60 Hertz
Frequency	9.5A
Nominal current	

ACCESSORIES

To facilitate its use, the **NOCOMAX EASY®** can be combined with several accessories.
(Cf : NOCOTECH ACCESSORIES sheet)

COMPATIBILITY (in 20L can)



Disinfectants

Item description	Reference
NOCOLYSE 20L	PSDLNLE20
NOCOLYSE FOOD 20L	PSDLNLF20
NOCOLYSE ONE SHOT 20L	PSDLNLOS20



Insecticides

Item description	Reference
OXYPY 20L	PSILO20
OXYPY + 20L	PSILO20